



CA/LINE

IN-LINE CIRCULAR
FANS FOR DUCTS



CA/LINE

*In-line circular fans for ducts
with long-lasting ball bearings*



- Fan:
- Steel sheet casing
 - External terminal board
 - Quick and easy to install
 - Includes base stand

- Motor:
- Adjustable motor with long-lasting ball bearings and IP54 protection
 - Single-phase 220-240V, 50 Hz
 - Working temperature: -25°C +60°C

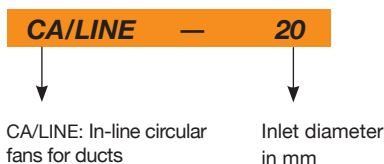
- Finish:
- Anti-corrosive finish in polyester resin polymerised at 190°C, after alkaline degreasing using phosphate-free nanotechnology treatment.

- On request:
- Models at 60 Hz



Size 355

Order code



Technical Characteristics

Model	Speed (r/min)	Maximum admissible current 230V (A)	Absorbed electrical power (kW)	Maximum airflow (m ³ /h)	Sound pressure level dB(A)	Approx. weight (Kg)
CA/LINE-10	2460	0.35	0.074	260	33	2.8
CA/LINE-12	2350	0.35	0.075	350	35	2.8
CA/LINE-15	2420	0.44	0.095	537	41	4.8
CA/LINE-16	2640	0.62	0.133	880	41	4.8
CA/LINE-20	2600	0.64	0.137	980	36	6.2
CA/LINE-25	2390	0.72	0.157	1008	38	6.6
CA/LINE-31	2378	0.86	0.189	1596	37	6.9
CA/LINE-355	2098	1.56	0.357	2098	39	12

Acoustic Features

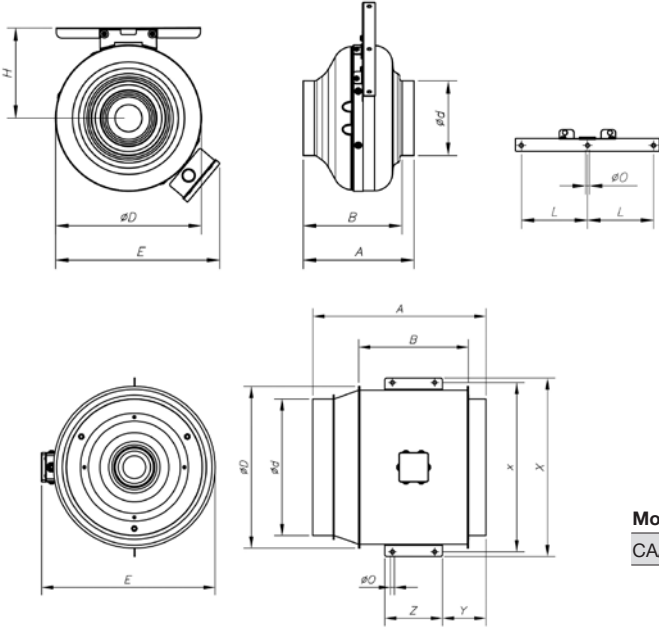
The specified values are determined according to free field measurements of sound levels in dB(A) at a distance of 3 m.

Sound power Lw(A) spectrum in dB(A) via frequency band in Hz.

Model	63	125	250	500	1000	2000	4000	8000
10	7	23	16	33	45	44	37	26
12	8	17	18	34	43	41	33	22
15	10	19	38	40	49	41	40	24
16	10	19	38	40	49	41	40	24

Model	63	125	250	500	1000	2000	4000	8000
20	11	13	21	35	41	36	46	38
25	14	21	29	36	39	37	38	38
31	12	20	29	36	36	39	38	35
355	12	17	29	37	39	40	39	38

Dimensions in mm



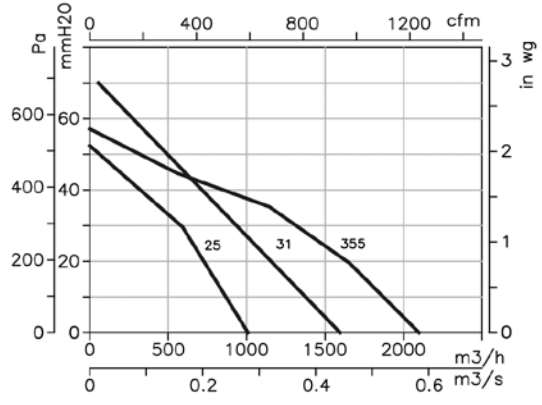
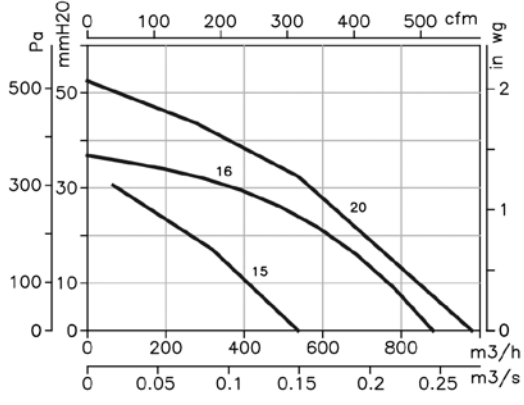
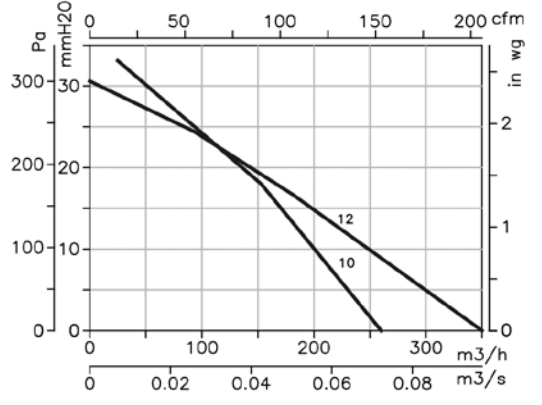
Model	A	B	ød	øD	E	H	L	øO
CA/LINE-10	200	178	100	268	318	141	80	12
CA/LINE-12	200	178	125	268	318	141	80	12
CA/LINE-15	269	244	150	342	392	178	80	12
CA/LINE-16	269	244	160	342	392	178	80	12
CA/LINE-20	269	229	200	342	392	178	80	12
CA/LINE-25	279	229	250	342	392	178	80	12
CA/LINE-31	295	245	315	400	450	207	80	12

Model	A	B	ød	øD	E	øO	x	X	Y	Z
CA/LINE-355	450	352	354	420	470	10	442	466	135	110

Characteristic Curves

Q= Airflow in m³/h, m³/s and cfm

Pe= Static pressure in mmH₂O, Pa and inwg



EFFICIENT WORK FANS



SOLution DEvelopment CAPacity

Fast and flexible industrial fan solutions and tailored fans

Large experience in smoke control systems and ATEX applications

Wide range of certified products for specific markets

AXIAL
FANS AND
ROOF FANS



CENTRIFUGAL
FANS AND IN-LINE EXTRACTORS



FANS FOR
SMOKE
EXTRACTION



ATEX FANS FOR EXPLOSIVE
ATMOSPHERES AND OTHER
APPLICATIONS



HEAT RECOVERY
SYSTEMS AND
FILTRATION UNITS



AIR CURTAINS FOR
COMMERCIAL AND
INDUSTRIAL APPLICATIONS



VENTILATION SYSTEMS
FOR
HOUSES



FOR FURTHER INFORMATION

www.sodeca.com



Distributed by:



SODECA
Ctra. de Berga, km 0,7
E-08580 SANT QUIRZE
DE BESORA
Barcelona - SPAIN
Tel. +34 93 852 91 11
Fax +34 93 852 90 42
ventilation@sodeca.com

PORTUGAL
Sodeca Portugal Lda
Luiz Araújo
Rua Veloso Salgado 1120/1138
4450-801 LEÇA DE PALMEIRA
PORTUGAL
Tel. +351 229 991 100
Fax. +351 229 991 119
geral@decflex.com

FINLAND
Sodeca Finland Oy
Mr. Kai Yli-Sipila
Metsälinnankatu 30, PL2,
FI-32700 HUITTINEN, FINLAND
Tel. + 358 2255 7582
orders.finland@sodeca.com

CHILE
Sodeca Ventiladores Ltda
Sr. Francesc Bertran
Avda. Puerta Sur 03380
San Bernardo, SANTIAGO,
CHILE
Tel. +56 (02) 2840 5582
ventas.chile@sodeca.com

ÁREA CARIBE
Residencial Miramar Apto. N° 108
Ave. 7ma N° 1805 entre 18 y 20.
Miramar Playa,
CIUDAD DE LA HABANA, CUBA
Tel. 00537 20 43721
sodeca@sodeca.co.cu