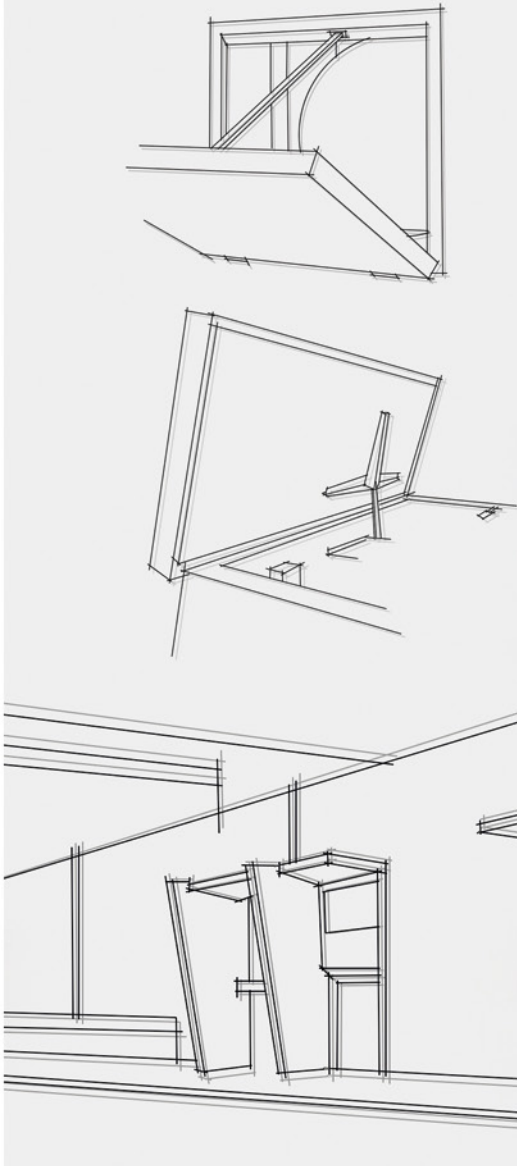


DESIGNED FOR THE FUTURE

A NEW CONCEPT IN
**HATCH VENTILATION
SYSTEMS**



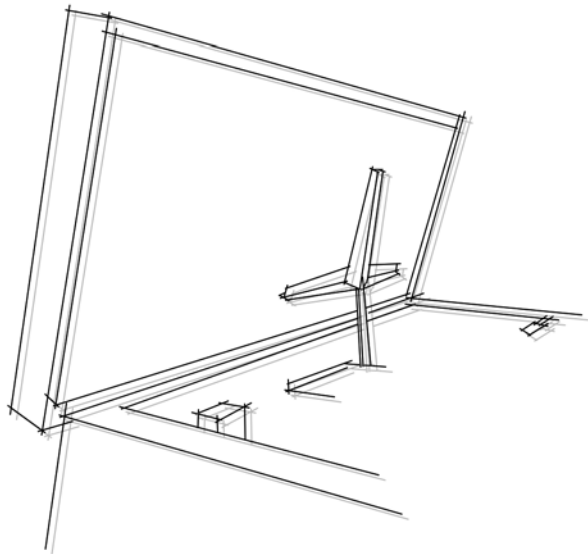
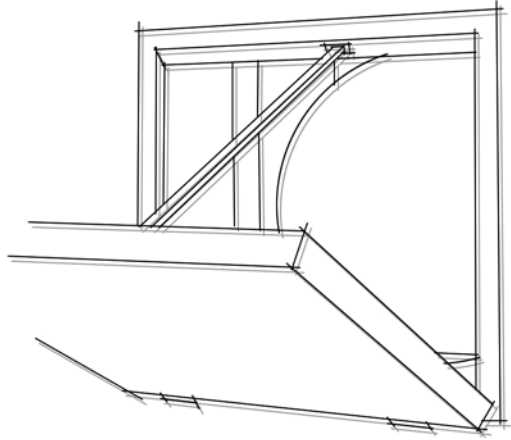


THINGS HAVE CHANGED AND SO HAVE VENTILATION SYSTEMS.

WALL SYSTEM ← **HATCH SOLUTIONS** → ROOF SYSTEM



A NEW CONCEPT IN VENTILATION SYSTEMS WITH HATCHES.



THE HATCH SYSTEM

An efficient solution to prevent heat loss in buildings.

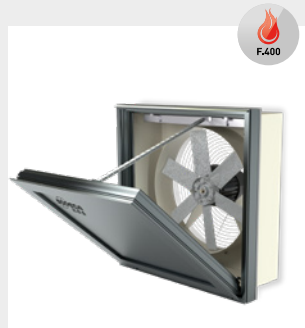
Sodeca introduces a new exhaust air extract system in buildings or for extracting smoke in the case of fire in accordance with current regulations. They consist of automated systems that use motorised hatches with a design that is completely sealed, using cutting edge technology and with a F-400°C/2h or F-300°C/2h work certificate, depending on the application.

WALL SYSTEM

The WALL system is especially designed to exhaust air or smoke through the buildings walls in the event of fire.



THT/WALL



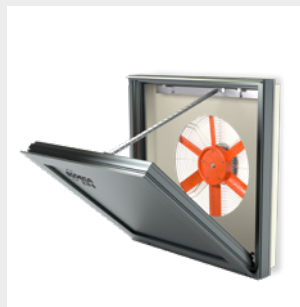
THT/WALL-F



WALL/DUCT



WALL-FREE



WALL/AXIAL

ROOF SYSTEM



THT/HATCH



HCT/HATCH

The ROOF system is designed for easy installation on the roofs of buildings or industrial facilities and permits air or smoke exhaust through the roof in the event of a fire.

The exhaust of both systems is carried out using a fully water-tight motorised hatch. The entire equipment is thermally insulated using technologically advanced materials. This way, heat loss from the building is prevented when the system is not operating.

HEAT LOSS AND THERMAL INSULATION

One of the main disadvantages of current fans is the constant loss of heat, which results in unnecessary costs due to the use of air conditioning or heating systems.

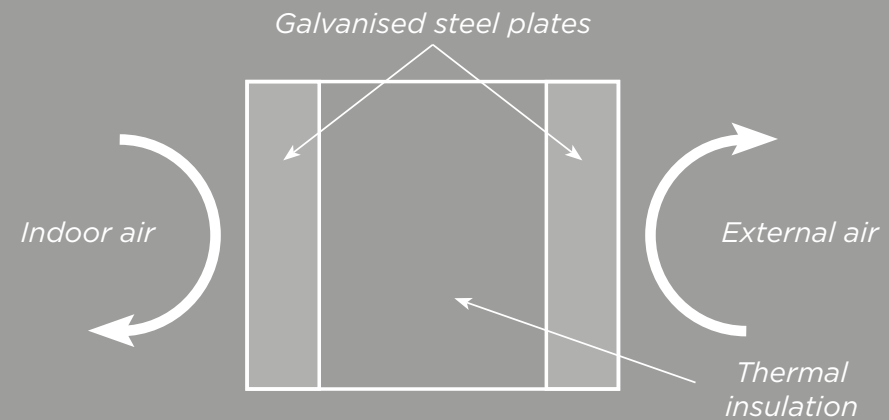
In the new HATCH systems, this disadvantage is corrected since the assembly is completely sealed and insulated using special materials designed for this purpose. This way, heat loss from the building is prevented.



THERMAL TRANSMITTANCE

HATCH

The case and the lid of HATCH systems comprise of a three layer, 60-mm thick sandwich. In calculating thermal transmittance, heat transfer by both conduction and convection have been considered.



The thermal transmittance value of HATCH systems is:

$$U = 0.6122 \text{ W/m}^2\cdot\text{K}$$



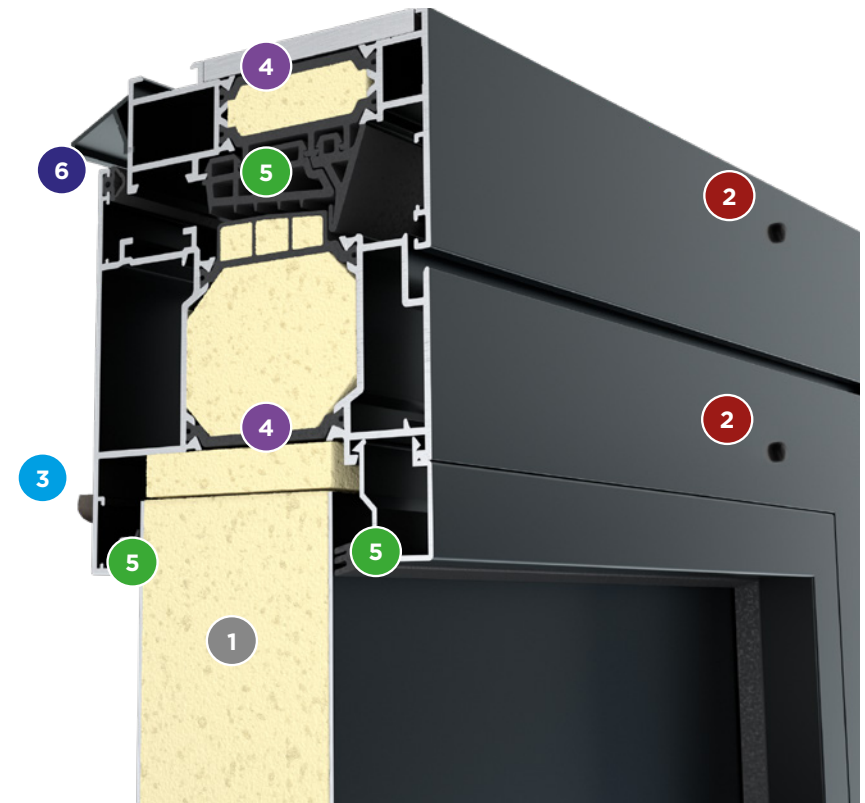
THERMAL TRANSMITTANCE

WALL

The hatch of these units is comprised of 80-mm thick extruded aluminium profiles with a thermal bridge break and a sandwich type central panel with high thermal insulation properties.

The thermal transmittance value of the WALL systems

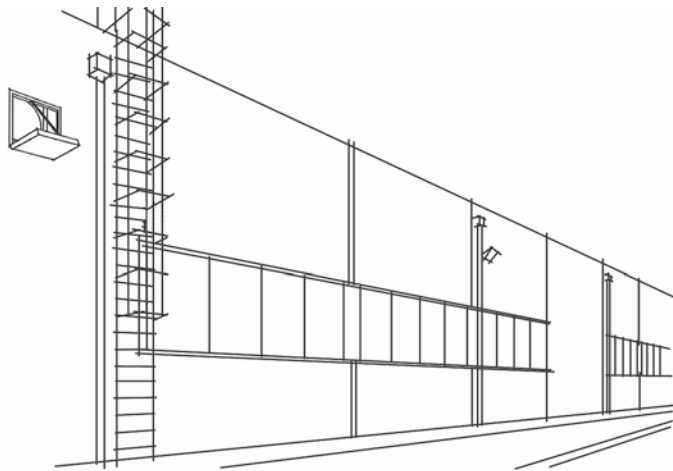
WALL FLAP 40 - 45	0.9 W/m ² ·K
WALL FLAP 50 - 56	0.8 W/m ² ·K
WALL FLAP 63 - 71 - 80	0.7 W/m ² ·K
WALL FLAP 90 - 100	0.7 W/m ² ·K
WALL FLAP 125	0.6 W/m ² ·K



- 1 Aluminium sandwich panel with high-density expanding polyurethane foam
- 2 Anti-detachment fixing screws in the event of fire
- 3 Condensation drainage
- 4 Thermal bridge break
- 5 Water-tightness seals
- 6 Gutter to prevent water from filtering inside the unit

WALL SYSTEM FOR INDUSTRIAL APPLICATIONS ON WALLS

The WALL system can be used in industrial facilities as it is easy to install on walls and can be integrated into the building design. The WALL system can be used for fire protection and smoke extract in the event of a fire, using series with F-400 or F-300 certificates or using the system without a temperature certification for extracting exhaust or contaminated air. The WALL systems can also be used to supply air, if necessary. The advantage of being able to automatically close the hatch when the system is not in use brings very important energy savings. Additionally, it keeps the ventilation opening completely closed from the outside.



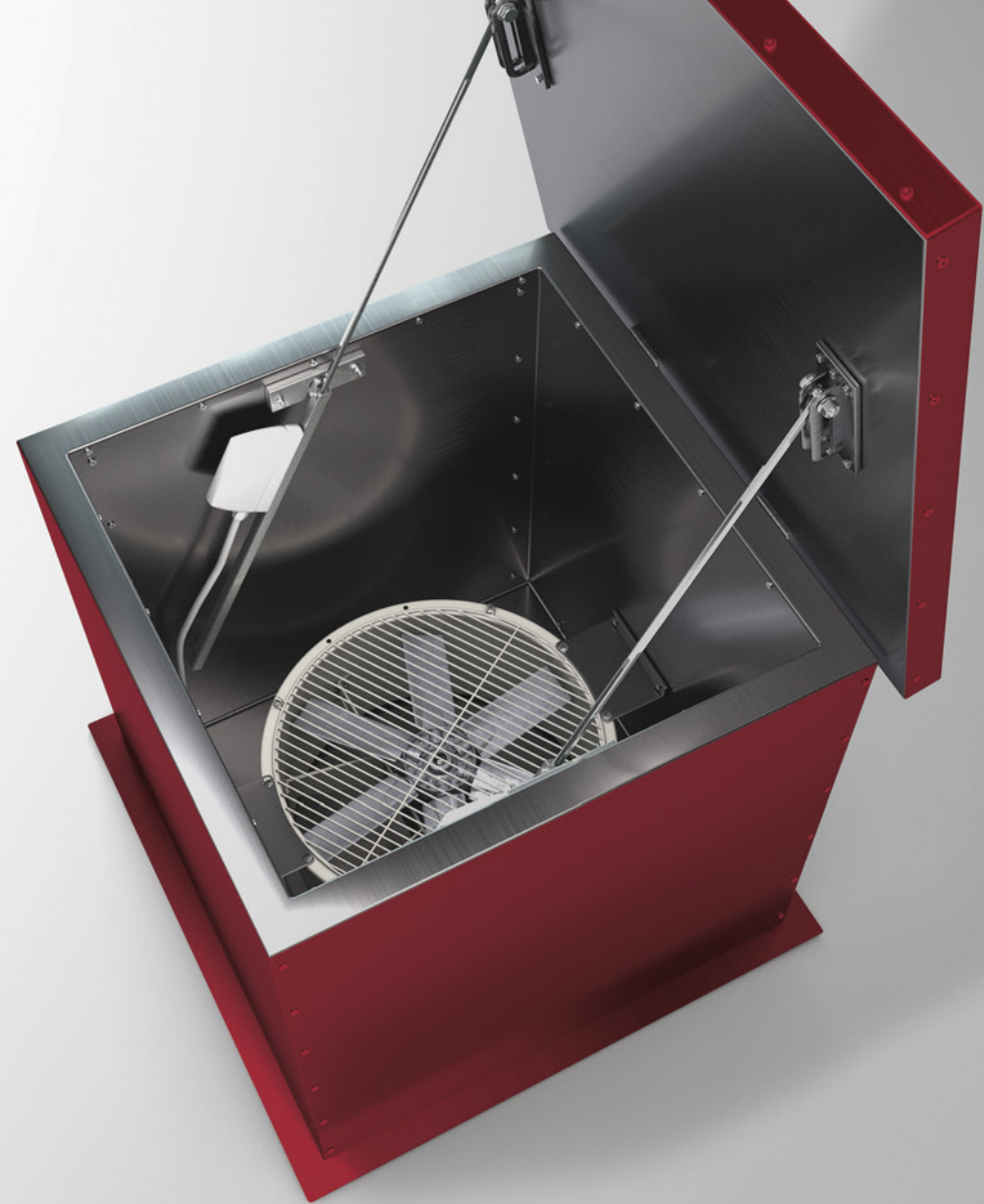




ROOF SYSTEM FOR INDUSTRIAL APPLICATIONS

Roof extract fans in industrial buildings are used for extracting heat and contaminants and are the most common types used for industrial building. Many roof extract fans with no aesthetic requirements result in buildings having various different appearances. These roof-mounted extract fans usually permit a high amount of heat loss when they not in use; as heat rises to the top of the building, the heat loss through the extract fans is very high.

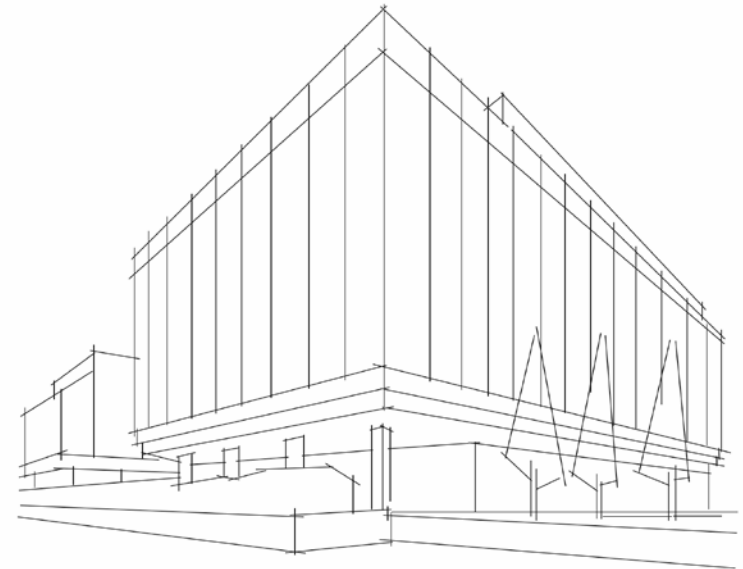
By using roof HATCH systems we prevent any heat loss and give the roofs of industrial buildings a uniform appearance. We can use systems with an F-400 or F-300 certificate for fire protection and rapid smoke exhaust or we can use standard systems to extract exhaust air or contaminants. Their water-tight design makes it impossible for water or snow to enter even in the most extreme weather conditions.

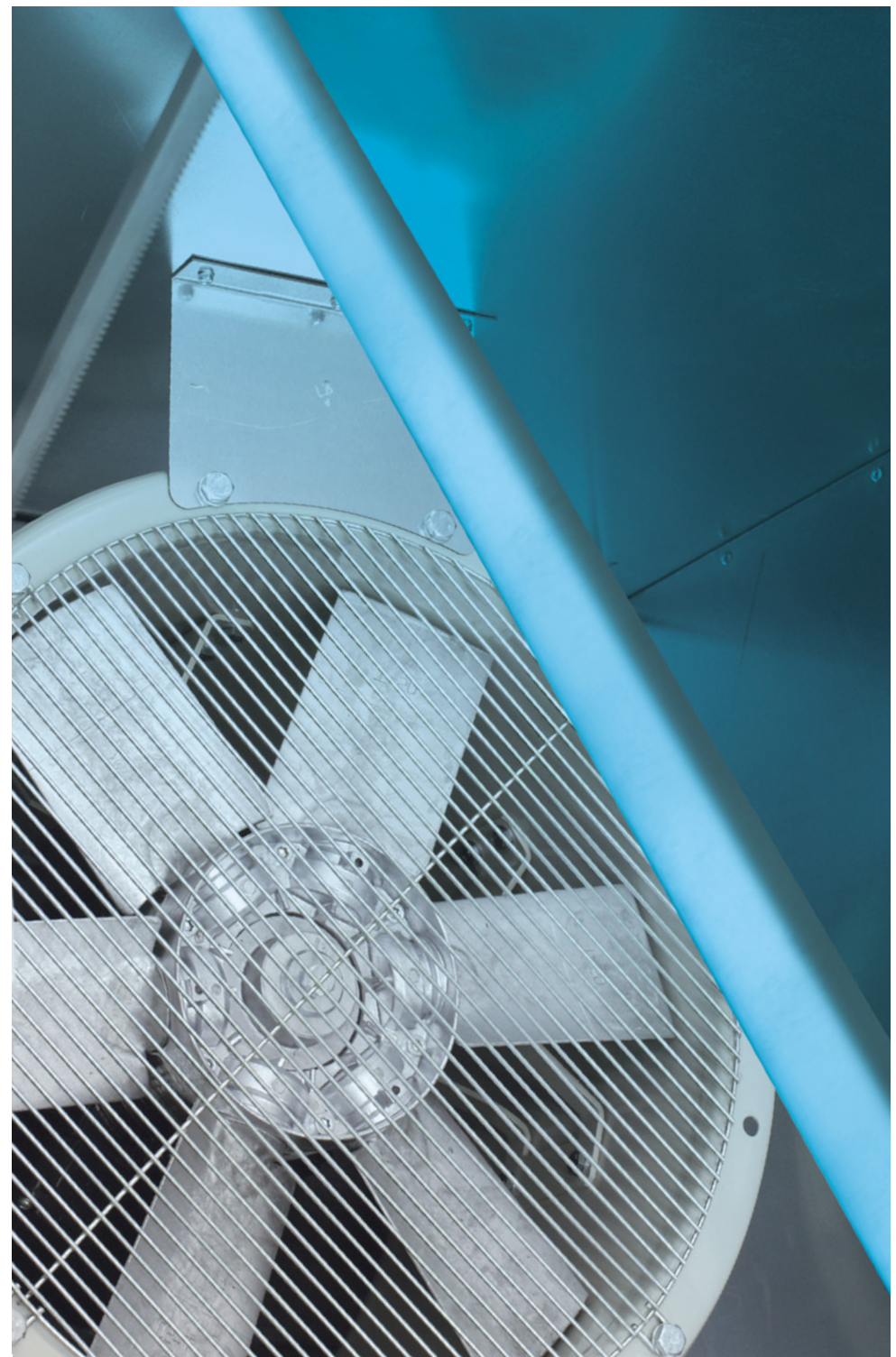


WALL SYSTEM FOR COMMERCIAL BUILDINGS APPLICATIONS ON WALLS

If a fire happens in large buildings, especially those with high ceilings, it is very important to get the smoke extract design right for the safety of the personnel in that building. WALL hatch systems facilitate this because they can be installed at any point on the external walls and are perfectly incorporated into the aesthetic appearance of the building.

Using these products for this application avoids the need to install large amounts of ductwork or chimneys through the roof.





ROOF SYSTEM FOR COMMERCIAL BUILDINGS APPLICATIONS ON ROOFS

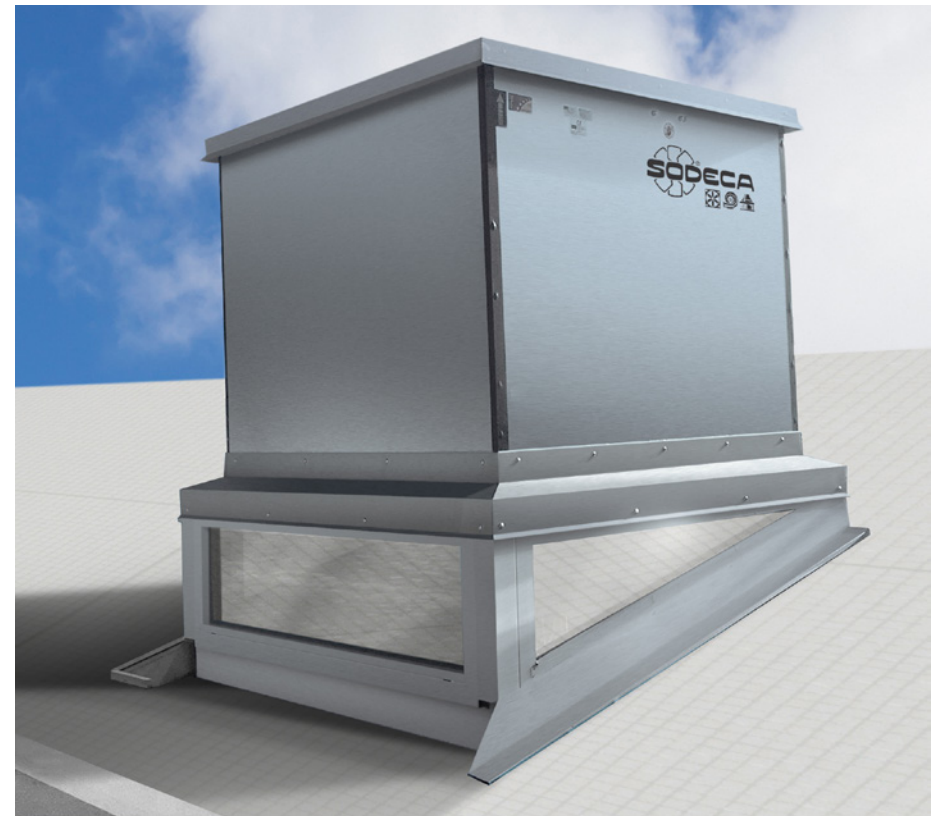
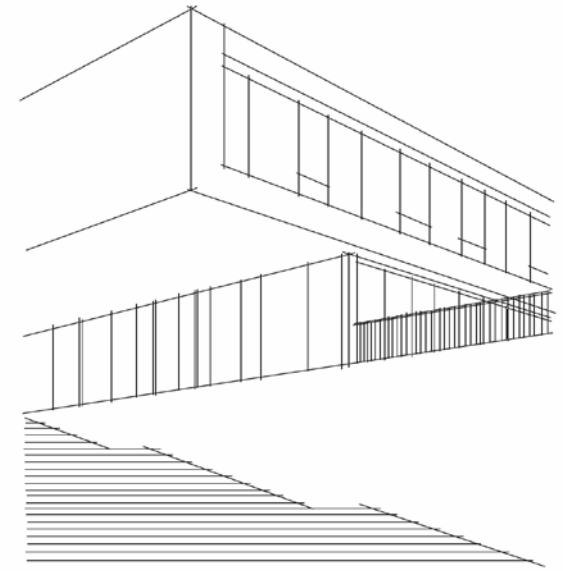
The demand to ensure that buildings are as sustainable as possible means that products installed in those buildings must be energy saving and efficient.

The use of roof HATCH systems that are completely water-tight and with a very efficient thermal insulation results in an almost negligible loss of heat by transmission when the extract system is not being used.

The use of roof HATCH systems results in almost negligible loss of heat from buildings when the extract systems are not being used because of their highly efficient thermal insulation and water tightness.

Using roof-mounted, motorised hatch systems with F-400 or F-300 certification for fire protection is one of the easiest ways to comply with the smoke exhaust regulation in buildings as well as local energy efficiency rules.





CERTIFICATIONS

All WALL and HATCH systems have been subjected to different robustness tests under strenuous, snow load and wind load conditions as well as fire resistance certification tests in accordance with standard EN-12101-3, with certification numbers 0370-CPR-2823 and 0370-CPR-1827. All these tests are conducted by accredited laboratories.

Certifications in accordance with EN-12101-3	CLASSIFICATION	OPEN TIME	WIND LOAD (WL)
THT/HATCH	F400/2h F300/2h	<30 sec	200 Pa + 3 cycles
THT/WALL and THT/WALL-F	F400/2h F300/2h	<30 sec	200 Pa + 3 cycles

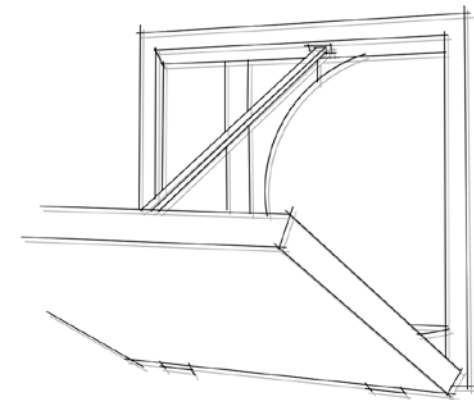
Tests based on EN-12101-2	SNOW LOAD (SL)	WIND LOAD (WL)	TEMPERATURE	RELIABILITY
THT/HATCH	SL-800	200 Pa	-25°	RE 10000
THT/WALL and THT/WALL-F	not applicable	1500 Pa	-25°	RE-11000



MOTORISED OPENING

The air outlet hatch is opened by extremely robust motorised actuators. These actuators guarantee proper operation in the most adverse conditions, even under simultaneous snow and wind overload conditions to satisfy the strictest regulations on the market.

This system has been tested and certified by laboratories specialising in these types of tests.





EASY INSTALLATION

Can be installed on any type of roof regardless of its inclination.

The fan inlet may be free, suctioning directly from the premise or it can be directly connected to an extract duct using the flange that is installed at the base of the extract fan.

ARCHITECTURAL INTEGRATION OF HATCH SYSTEMS

The appearance of industrial or commercial buildings and their integration in the environment is undoubtedly one of the most important concerns of designers.

HATCH systems can be customised to ensure that the smoke exhaust equipment can easily be integrated into the appearance of the building.

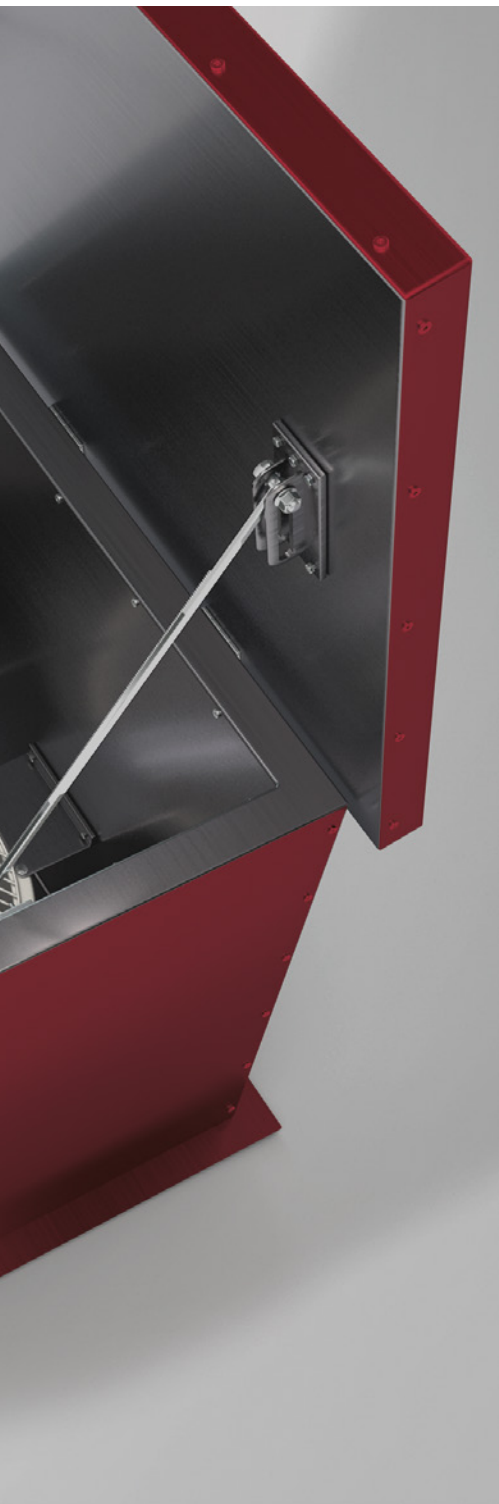
HATCH systems are customised by matching the RAL colour of the building exterior using anti-corrosive polyester resin paint or matching vinyl.



CUSTOMISATION

The finish of hatch systems such as the THT/WALL can be customised to match the building facade.

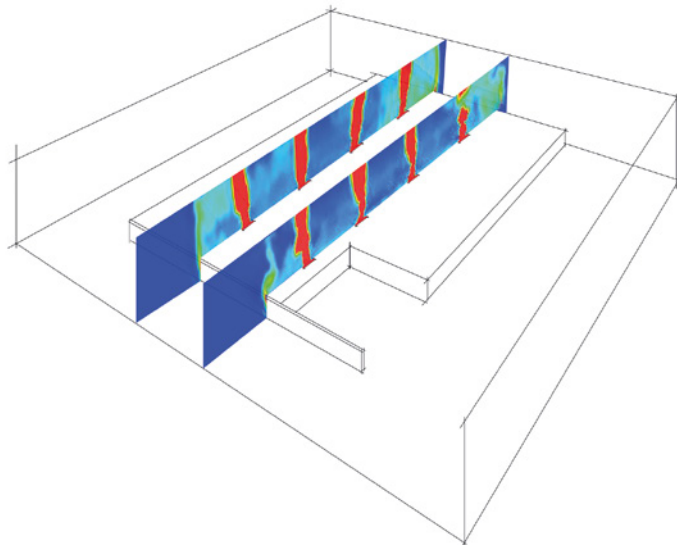
As a result, the unit will be completely integrated into the building appearance, especially when the hatch is closed.



ENERGY EFFICIENCY STUDY

EXAMPLE OF THE STUDY

AREA	3,170 m ²
HEIGHT	8 m
VOLUME	25,360 m ³
INDOOR TEMPERATURE	22°C
OUTDOOR TEMPERATURE	-5.6°C
HEATING	Unit heaters
NO. OF FANS	8 on the roof and 12 on the façade

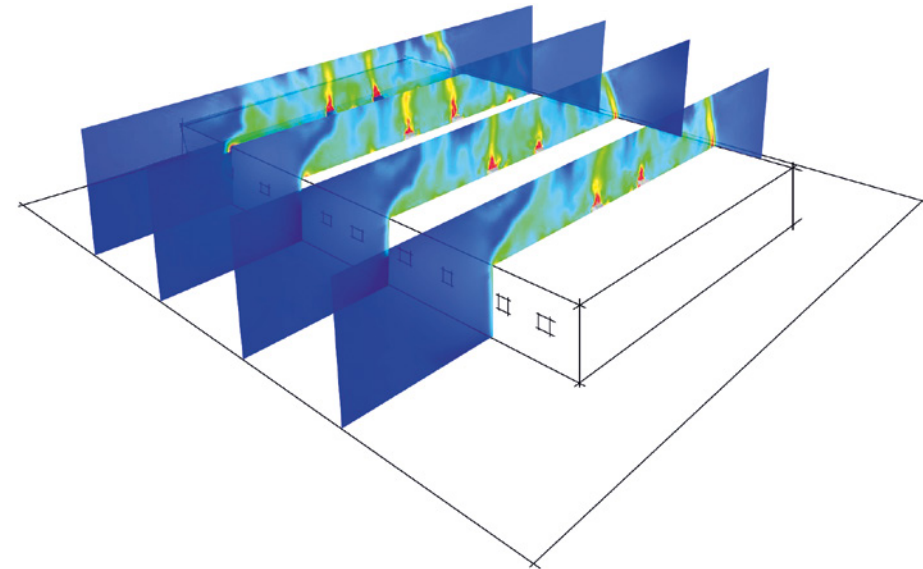


Energy efficiency tested

To calculate the heat loss for different extract systems, common losses are not taken into account. So such things as losses from walls, roofs and other air inlet/outlet sources are eliminated because these will be the same for different extract systems.

The following continuous operating temperatures are used for all systems:

- Indoor temperature: 22°C
- Outdoor temperature: -5.6°C
- Differential: 27.6°C



Extract systems with automated HATCH

As a calculation example, 8 Roof mounted extract fans shall be used of the THT/HATCH type, size 100, together with 12 Wall system extract fans of the THT/WALL type, size 90, installed on the façade. Taking into account the area, the thermal transmittance and the temperature differential, the total heat loss will be:

$$Q_{\text{total}} = 1.3 \text{ kW}\cdot\text{h}$$

Conventional extract fan system with free air outlet

As a calculation example, 8 roof-mounted axial extract fans, size 100, installed on the roof together with 12 wall-mounted axial extract fans, size 90, installed on the façade are used. Taking into account natural air movement from the interior to the exterior, the thermal transmittance and the temperature differential, the total heat loss will be:

$$Q_{\text{total}} = 251 \text{ kW}\cdot\text{h}$$

**The difference in heat loss between the two systems will be
249.7 kW·h**



ENERGY SAVINGS

Difference in heat loss between the two systems

The difference in heat loss in favour of the HATCH system equates to a difference in consumption in kW·h. In the study that was carried out, the energy savings per hour of the new system will be 249.7 kW·h.

Consumed energy costs comparative

Considering an average price of €0.1/kW·h, the heat loss savings equating to 249.7 kW·h; in one day under the specified temperature conditions, the cost savings would be €600/day; in one week we could save €4,200/week or €18,000/month.

Amortisation of the new equipment

The cost savings achieved at a time when energy efficiency is so important justifies investing in these new ventilation systems; additionally, the cost of these systems can be recouped in a very short time.

THT/WALL



400°C/2h and 300°C/2h dynamic wall-mounted extract fans with hatches with motorised opening function, for smoke exhaust in the event of fire

Dynamic wall-mounted extract fans with motorised opening function. Specially designed for a fast and effective exhaust of harmful smoke and gases in the event of fire. Suitable for installation in industrial buildings, commercial buildings or in any other type of building. Can also be connected to ducting if required. The entire assembly is approved in accordance with standard EN-12101-3, with F-400 and F-300 certificates. Can also be used for environmental ventilation.

Fan:

- Wall-mounting with flanged spigot for ease of installation.
- With F-400 certification no. 0370-CPR-2823 and F-300 no. 0370-CPR-0973.
- Cylindrical case in sheet steel with polyester resin anti-corrosive finish treatment.
- Variable angle impellers made of cast aluminium.
- Airflow direction from motor to impeller.

Extruded aluminium hatch:

- Extremely robust structure that is capable of withstanding severe weather conditions.
- Water-tight design to prevent the ingress of water.
- Aluminium profile with thermal bridge break.
- Central panel and structure with high performance thermal insulation.
- Thermal resistance of the assembly < 0.89 W/m²·K.
- Limit switches for both positions (open and closed).
- Manual opening system.

Motor:

- Class H motors for S1 continuous operation and S2 emergency use. With ball bearings, IP55 protection and 1 or 2 speeds, depending on the model.
- IE3 efficiency motors.
- Three-phase 230/400 V-50 Hz (up to 3 kW) and 400/690 V-50 Hz (powers higher than 3 kW).
- Temperature of the air to be carried: S1 continuous operation -25°C to +40°C, also suitable for warm climates with temperatures up to 50°C. S2 operation, 300°C/2h, 400°C/2h.

Actuator:

- Reliability >11,000 dual cycles.
- Power supply voltage of 230 Vac-50 Hz.
- Operating temperature: -25°C +60°C.

Hatch finish:

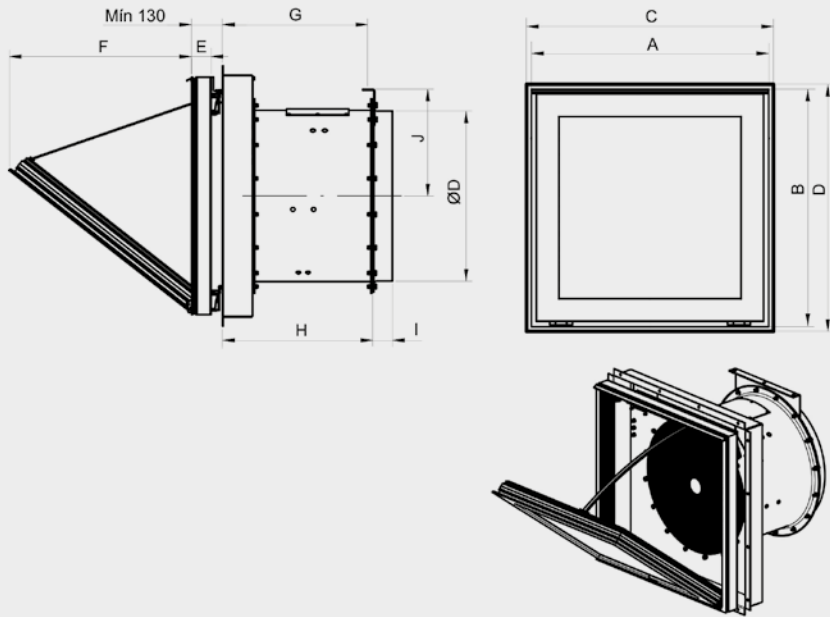
- Anti-corrosive finish extruded aluminium.
- Standard colour RAL 7016. Any RAL colour may be selected upon request.

Model	Speed (r/min)	Max. admissible current (A)			Installed power (kW)	Blade tilt angle (°)	Max. flow (m³/h)	Sound pressure level dB(A)	Approx. weight (kg)	According ErP*
		230 V	400 V	690 V						
THT/WALL-40-2T-1 IE3	2850	3.15	1.80		0.75	16	6115	72	62	2020
THT/WALL-40-2T-1.5 IE3	2880	4.70	2.70		1.10	20	7050	73	63	2020
THT/WALL-45-2T-2 IE3	2880	5.90	3.40		1.50	16	9405	75	67	2020
THT/WALL-45-2T-3 IE3	2840	8.70	5.00		2.20	22	11325	77	68	2020
THT/WALL-50-2T-4 IE3	2880	11.20	6.50		3.00	16	13860	79	84	2015
THT/WALL-50-2T-5.5 IE3	2870		9.30	5.40	4.00	20	15900	80	100	2015
THT/WALL-56-2T-5.5 IE3	2870		9.50	5.50	4.00	16	18840	85	105	2020
THT/WALL-56-2T-7.5 IE3	2910		10.60	6.14	5.50	22	22510	86	107	2020
THT/WALL-56-4T-2 IE3	1440	6.20	3.60		1.50	36	15020	72	84	2015
THT/WALL-63-4T-3 IE3	1425	9.00	5.20		2.20	32	22460	73	131	2020
THT/WALL-63-4T-4 IE3	1430	11.40	6.60		3.00	38	24460	74	132	2020
THT/WALL-63-6T-1 IE3	940	4.70	2.70		0.75	38	16025	63	121	2020
THT/WALL-71-4T-3 IE3	1425	9.00	5.20		2.20	22	25100	81	124	2020
THT/WALL-71-4T-4 IE3	1430	11.40	6.60		3.00	28	27500	82	133	2020
THT/WALL-71-4T-5.5 IE3	1440		8.40	4.80	4.00	38	32250	83	143	2020
THT/WALL-71-6T-1.5 IE3	945	5.50	3.20		1.10	34	19950	69	123	2020
THT/WALL-80-4T-3 IE3	1425	9.00	5.20		2.20	12	25545	79	138	2020
THT/WALL-80-4T-4 IE3	1430	11.40	6.60		3.00	16	30410	80	147	2020
THT/WALL-80-4T-5.5 IE3	1440		8.40	4.80	4.00	18	32940	81	153	2020
THT/WALL-80-4T-7.5 IE3	1460		12.60	7.30	5.50	26	39820	82	154	2020
THT/WALL-80-6T-1.5 IE3	945	5.50	3.20		1.10	18	21580	69	137	2020
THT/WALL-80-6T-2 IE3	945	7.40	4.30		1.50	26	26090	70	146	2020
THT/WALL-90-4T-7.5 IE3	1460		12.60	7.30	5.50	18	46325	88	222	2020
THT/WALL-90-4T-10 IE3	1460		17.70	10.20	7.50	22	50315	89	233	2020
THT/WALL-90-4T-15 IE3	1460		22.00	12.70	11.00	30	59610	90	242	2020
THT/WALL-90-6T-3 IE3	950	9.50	5.50		2.20	24	34055	75	195	2020
THT/WALL-90-6T-4 IE3	970	13.50	7.80		3.00	30	39055	76	221	2020
THT/WALL-100-4T-10 IE3	1460		17.70	10.20	7.50	16	57650	90	239	2020

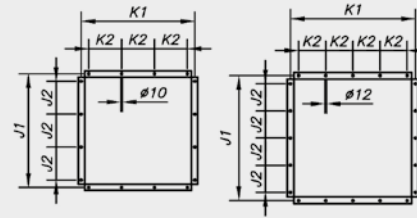
Model	Speed (r/min)	Max. admissible current (A)			Installed power (kW)	Blade tilt angle (°)	Max. flow (m³/h)	Sound pressure level dB(A)	Approx. weight (kg)	According ErP*
		230 V	400 V	690 V						
THT/WALL-100-4T-15 IE3	1460		22.00	12.70	11.00	22	66505	91	292	2020
THT/WALL-100-4T-20 IE3	1460		29.00	16.70	15.00	28	76445	92	307	2020
THT/WALL-100-6T-5.5 IE3	970		11.00	6.40	4.00	26	47955	81	239	2020
THT/WALL-100-6T-7.5 IE3	970		12.40	7.20	5.50	32	53545	82	276	2020
THT/WALL-125-4T/6-20 IE3	1470		29.87	17.25	15.00	10	78608	99	462	2020
THT/WALL-125-4T/6-25 IE3	1470		34.86	20.12	18.50	14	92546	100	530	2020
THT/WALL-125-4T/6-30 IE3	1470		41.77	24.11	22.00	16	98830	101	544	2020
THT/WALL-125-4T/6-40 IE3	1475		55.19	31.87	30.00	22	117456	101	625	2020
THT/WALL-125-4T/6-50 IE3	1480		73.00	42.10	37.00	26	131064	102	673	2020
THT/WALL-125-4T/9-25 IE3	1470		34.86	20.12	18.50	10	79671	95	539	2020
THT/WALL-125-4T/9-30 IE3	1470		41.77	24.11	22.00	12	88281	96	553	2020
THT/WALL-125-4T/9-40 IE3	1475		55.19	31.87	30.00	16	104040	96	634	2020
THT/WALL-125-4T/9-50 IE3	1480		73.00	42.10	37.00	20	118399	97	682	2020
THT/WALL-125-4T/12-30 IE3	1475		42.20	24.44	22.00	10	62897	99	569	2015
THT/WALL-125-4T/12-40 IE3	1470		53.30	31.02	30.00	14	79181	100	650	2015
THT/WALL-125-4T/12-50 IE3	1480		66.40	38.26	37.00	18	95715	100	693	2020
THT/WALL-125-6T/6-5.5 IE3	960		9.61	5.55	4.00	10	51502	82	395	2020
THT/WALL-125-6T/6-7.5 IE3	960		12.82	7.40	5.50	14	60634	83	402	2020
THT/WALL-125-6T/6-10 IE3	960		17.24	9.95	7.50	20	72647	83	427	2020
THT/WALL-125-6T/6-15 IE3	955		22.10	12.76	11.00	26	85869	84	457	2020
THT/WALL-125-6T/6-20 IE3	970		29.44	16.99	15.00	30	92854	85	530	2020
THT/WALL-125-6T/9-10 IE3	960		17.24	9.95	7.50	14	63487	84	436	2020
THT/WALL-125-6T/9-15 IE3	955		22.10	12.76	11.00	20	77572	85	466	2020
THT/WALL-125-6T/9-20 IE3	970		29.44	16.99	15.00	26	92968	86	539	2020
THT/WALL-125-6T/9-25 IE3	975		36.10	20.77	18.50	32	96500	87	569	2020
THT/WALL-125-6T/12-25 IE3	975		36.10	20.77	18.50	28	131859	84	579	2020
THT/WALL-125-6T/12-30 IE3	975		42.30	24.35	22.00	32	146765	85	621	2020
THT/WALL-125-6T/12-40 IE3	980		55.80	32.13	30.00	38	166138	86	739	2020

*In accordance with the ErP 2020 draft

THT/WALL



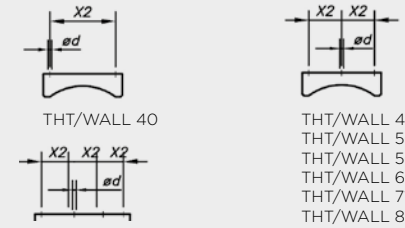
* Wall-mounting flange



- THT/WALL 40
- THT/WALL 45
- THT/WALL 50
- THT/WALL 56
- THT/WALL 63
- THT/WALL 71
- THT/WALL 80

- THT/WALL 90
- THT/WALL 100
- THT/WALL 125

Helical ring support stand



THT/WALL 40

THT/WALL 125

- THT/WALL 45
- THT/WALL 50
- THT/WALL 56
- THT/WALL 63
- THT/WALL 71
- THT/WALL 80
- THT/WALL 90
- THT/WALL 100

Model	A	B	C	D	ØD*	I	J	H	G	E	F	J1	J2	K1	K2	X2	ød
THT/WALL-40	640	590	650	600	400	80	255	530	510	82	430	700	200	700	200	200	10
THT/WALL-45	640	590	650	600	450	80	280	530	510	82	430	700	200	700	200	200	12
THT/WALL-50	690	690	700	700	500	80	305	530	510	82	560	790	220	790	220	200	12
THT/WALL-56	690	690	700	700	560	80	340	530	510	82	560	790	220	790	220	215	13
THT/WALL-56-2T-7.5	690	690	700	700	560	80	340	630	610	82	560	790	220	790	220	215	13
THT/WALL-63	990	990	1000	1000	630	80	385	630	605	82	760	1050	300	1050	300	215	13
THT/WALL-63-6T-1	990	990	1000	1000	630	80	385	530	505	82	760	1050	300	1050	300	215	13
THT/WALL-71	990	990	1000	1000	710	80	445	630	605	82	760	1050	300	1050	300	225	13
THT/WALL-80	990	990	1000	1000	800	100	490	630	605	82	760	1050	300	1050	300	280	13
THT/WALL-90	1190	1190	1200	1200	900	100	550	730	705	82	790	1250	250	1250	250	280	18
THT/WALL-90-4T-15	1190	1190	1200	1200	900	100	550	830	805	82	790	1250	250	1250	250	280	18
THT/WALL-100	1190	1190	1200	1200	1000	100	600	730	705	82	790	1250	250	1250	250	280	18
THT/WALL-100 >10CV	1190	1190	1200	1200	1000	100	600	830	805	82	790	1250	250	1250	250	280	18
THT/WALL-125	1490	1490	1500	1500	1250	100	725	1050	1025	82	1240	1600	300	1600	300	300	18
THT/WALL-125(4T/6-20;6T/6-5,5;6T/6-7,5;6T/6-10;6T/6-15;6T/9-10;6T/9-15)	1490	1490	1500	1500	1250	100	725	850	825	82	1240	1600	300	1600	300	300	18
THT/WALL-125-50CV	1490	1490	1500	1500	1250	100	725	1150	1125	82	1240	1600	300	1600	300	300	18

(*) Recommended pipe nominal diameter
(C x D) Nominal size of the wall opening

THT/WALL-F



400°C/2h and 300°C/2h dynamic wall-mounted extract fans with hatches with motorised opening function, for smoke exhaust in the event of fire

Dynamic wall-mounted extract fans with motorised opening function and protective guard for use without an extract duct. Specially designed for a fast and effective exhaust of harmful smoke and gases in the event of fire. Suitable for installation in industrial buildings, stores or in any other type of building. The entire assembly is approved in accordance with standard EN -12101-3, with F-400 and F-300 certificates. Can also be used for environmental ventilation.

Fan:

- Wall-mounting flange for ease of installation.
- Galvanised sheet steel support frame.
- With F-400 certification no. 0370-CPR-2823 and F-300 no. 0370-CPR-0973.
- Variable angle impellers made of cast aluminium.
- Airflow direction from motor to impeller.
- Touch protection grille pursuant to standard UNE-EN ISO 12499.

Extruded aluminium hatch:

- Extremely robust structure that is capable of withstanding severe weather conditions.
- Water-tight design to prevent the entry of water.
- Aluminium profile with thermal bridge break.
- Central panel and structure with high performance thermal insulation.
- Thermal resistance of the assembly < 0.89 W/m²·K.
- Limit switches for both positions (open and closed).
- Manual opening system.

Motor:

- Class H motors for S1 continuous operation and S2 emergency use. With ball bearings, IP55 protection and 1 or 2 speeds, depending on the model.
- IE3 efficiency motors.
- Three-phase 230/400 V-50 Hz (up to 3 kW) and 400/690 V-50 Hz (powers higher than 3 kW).
- Temperature of the air to be carried: S1 continuous operation -25°C to +40°C, also suitable for warm climates with temperatures up to 50°C. S2 operation, 300°C/2h, 400°C/2h.

Actuator:

- Reliability >11,000 dual cycles.
- Power supply voltage of 230 Vac-50 Hz.
- Operating temperature: -25°C +60°C.

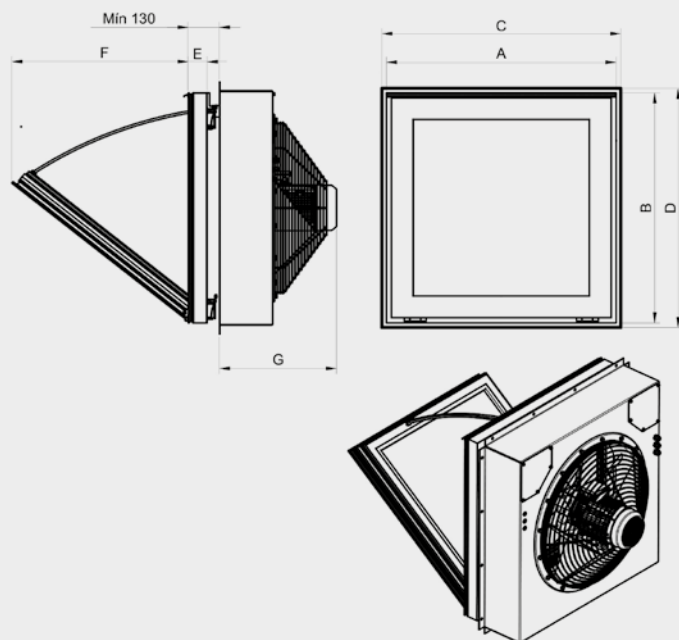
Hatch finish:

- Anti-corrosive finish extruded aluminium.
- Standard colour RAL 7016. Any RAL colour may be selected upon request.

Model	Speed (r/min)	Max. admissible current (A)			Installed power (kW)	Blade tilt angle (°)	Max. flow (m ³ /h)	Sound pressure level dB(A)	Approx. weight (kg)	According ErP*
		230 V	400 V	690 V						
THT/WALL-F-40-2T-1.5 IE3	2880	4.70	2.70		1.10	20	7050	73	55	2020
THT/WALL-F-45-2T-2 IE3	2880	5.90	3.40		1.50	16	9405	75	63	2020
THT/WALL-F-45-2T-3 IE3	2840	8.70	5.00		2.20	22	11325	77	67	2020
THT/WALL-F-56-4T-2 IE3	1440	6.20	3.60		1.50	36	15020	72	69	2020
THT/WALL-F-63-4T-3 IE3	1425	9.00	5.20		2.20	32	22460	73	97	2020
THT/WALL-F-63-4T-4 IE3	1430	11.40	6.60		3.00	38	24460	74	103	2020
THT/WALL-F-71-4T-3 IE3	1425	9.00	5.20		2.20	22	25100	81	100	2020
THT/WALL-F-71-4T-4 IE3	1430	11.40	6.60		3.00	28	27500	82	106	2020
THT/WALL-F-71-6T-1.5 IE3	945	5.50	3.20		1.10	34	19950	69	98	2020
THT/WALL-F-80-4T-3 IE3	1425	9.00	5.20		2.20	12	25545	79	114	2020
THT/WALL-F-80-4T-4 IE3	1430	11.40	6.60		3.00	16	30410	80	120	2020
THT/WALL-F-80-4T-5.5 IE3	1440		8.40	4.80	4.00	18	32940	81	122	2020
THT/WALL-F-80-4T-7.5 IE3	1460		12.60	7.30	5.50	26	39820	82	152	2020
THT/WALL-F-80-6T-1.5 IE3	945	5.50	3.20		1.10	18	21580	69	112	2020
THT/WALL-F-80-6T-2 IE3	945	7.40	4.30		1.50	26	26090	70	116	2020
THT/WALL-F-90-4T-7.5 IE3	1460		12.60	7.30	5.50	18	46325	88	183	2020
THT/WALL-F-90-4T-10 IE3	1460		17.70	10.20	7.50	22	50315	89	187	2020
THT/WALL-F-90-6T-3 IE3	950	9.50	5.50		2.20	24	34055	75	145	2020
THT/WALL-F-90-6T-4 IE3	970	13.50	7.80		3.00	30	39055	76	165	2020
THT/WALL-F-100-4T-10 IE3	1460		17.70	10.20	7.50	16	57650	90	194	2020
THT/WALL-F-100-4T-15 IE3	1460		22.00	12.70	11.00	22	66505	91	226	2020
THT/WALL-F-100-4T-20 IE3	1460		29.00	16.70	15.00	28	76445	92	237	2020
THT/WALL-F-100-6T-5.5 IE3	970		11.00	6.40	4.00	26	47955	81	178	2020

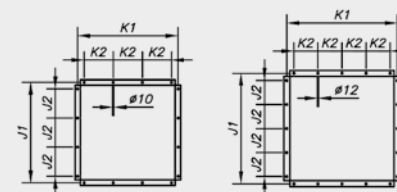
*In accordance with the ErP 2020 draft

THT/WALL-F



* Wall-mounting flange

THT/WALL-F 40
 THT/WALL-F 45
 THT/WALL-F 56
 THT/WALL-F 63
 THT/WALL-F 71
 THT/WALL-F 80

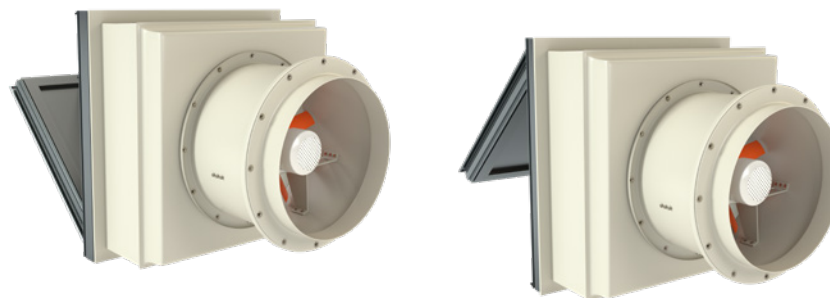


THT/WALL-F 90
 THT/WALL-F 100

Model	A	B	C	D	E	F	G	J1	J2	K1	K2
THT/WALL-F-40	640	590	650	600	82	430	375	700	200	700	200
THT/WALL-F-45	640	590	650	600	82	430	400	700	200	700	200
THT/WALL-F-56	690	690	700	700	82	560	415	790	220	790	220
THT/WALL-F-63	990	990	1000	1000	82	760	475	1050	300	1050	300
THT/WALL-F-71	990	990	1000	1000	82	760	500	1050	300	1050	300
THT/WALL-F-80	990	990	1000	1000	82	760	500	1050	300	1050	300
THT/WALL-F-90	1190	1190	1200	1200	82	790	525	1250	250	1250	250
THT/WALL-F-100	1190	1190	1200	1200	82	790	550	1250	250	1250	250

(C x D) Nominal size of the wall opening

WALL/DUCT



Dynamic wall-mounted extract fans fitted with hatches with motorised opening function

Dynamic wall-mounted extract fans with motorised opening function. Can also be connected to ducting if required. Suitable for installation in industrial buildings, stores or in any other type of building.

Fan:

- Wall-mounting with flanged spigot for ease of installation.
- Cylindrical case in sheet steel with external terminal box.
- PL version impeller in fibreglass-reinforced polyamide-6 and AL version in cast aluminium. Models 40-2T, 45-2T, 100-4T-15, 100-4T-20 and all 125 only in AL version.
- Airflow direction from motor to impeller.

Extruded aluminium hatch:

- Extremely robust structure that is capable of withstanding severe weather conditions.
- Water-tight design to prevent the entry of water.
- Aluminium profile with thermal bridge break.
- Central panel and structure with high performance thermal insulation.
- Thermal resistance of the assembly < 0.89 W/m²K.
- Limit switches for both positions (open and closed).
- Manual opening system
- Can be installed with optional top and bottom openings. Size 125 only for the top opening.

Motor:

- IE3 efficiency motors.
- Class F motors with ball bearings and IP55 protection.
- Single-phase 230 V-50 Hz and three-phase 230/400 V-50 Hz (up to 4 kW) and 400/690 V 50 Hz (powers higher than 4 kW).
- Temperature of the air to be carried: -25°C to +60°C.

Actuator:

- Reliability >11,000 dual cycles.
- Power supply voltage of 230 Vac-50 Hz.
- Operating temperature: -25°C +60°C.

Hatch finish:

- Anti-corrosive finish extruded aluminium.
- Standard colour RAL 7016. Any RAL colour may be selected upon request.

On request:

- AA: impeller-motor air direction for air supply into premises.

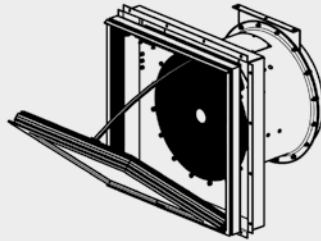
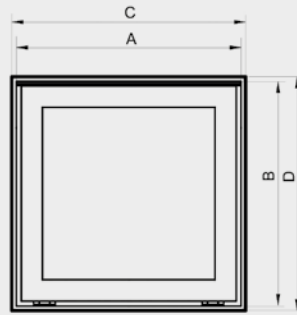
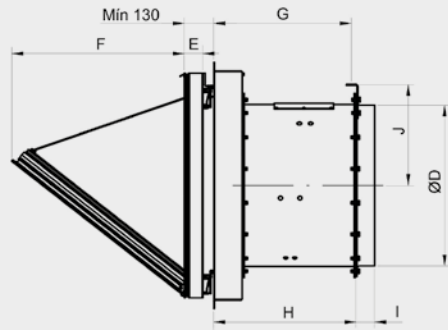
Model	Speed (r/min)	Max. admissible current (A)			Installed power (kW)	Max. flow (m ³ /h)	Sound pressure level dB(A)	Approx. weight (kg)	According ErP*
		230 V	400 V	690 V					
WALL/DUCT-40-2T-1.5 IE3	2830	4.03	2.34		1.10	8800	84	55	2015
WALL/DUCT-45-2T-2 IE3	2875	5.34	3.07		1.50	10650	86	64	2015
WALL/DUCT-45-2T-3 IE3	2910	7.32	4.21		2.20	12750	88	68	2015
WALL/DUCT-45-4T-0.5	1370	2.02	1.17		0.37	7100	68	53	2015
WALL/DUCT-50-4T-0.75	1380	2.92	1.69		0.55	10400	70	63	2015
WALL/DUCT-56-4T-1 IE3	1420	2.82	1.62		0.75	12950	73	71	2020
WALL/DUCT-56-4T-1.5 IE3	1455	4.07	2.34		1.10	14000	74	77	2020
WALL/DUCT-56-4T-2 IE3	1440	5.41	3.11		1.50	15300	75	83	2015
WALL/DUCT-56-6T-0.75	900	2.99	1.73		0.55	10000	62	70	2020
WALL/DUCT-63-4T-1 IE3	1420	2.82	1.62		0.75	14150	73	98	2020
WALL/DUCT-63-4T-1.5 IE3	1455	4.07	2.34		1.10	17000	74	104	2020
WALL/DUCT-63-4T-2 IE3	1440	5.41	3.11		1.50	18900	75	111	2020
WALL/DUCT-63-4T-3 IE3	1435	7.93	4.56		2.20	22100	76	113	2020
WALL/DUCT-63-4T-4 IE3	1440	10.70	6.15		3.00	25400	77	119	2020
WALL/DUCT-63-6T-0.75	900	2.99	1.73		0.55	12750	65	97	2015
WALL/DUCT-71-4T-2 IE3	1440	5.41	3.11		1.50	21100	79	117	2020
WALL/DUCT-71-4T-3 IE3	1435	7.93	4.56		2.20	23950	81	119	2020
WALL/DUCT-71-4T-4 IE3	1440	10.70	6.15		3.00	29400	82	125	2015
WALL/DUCT-71-6T-1 IE3	940	3.36	1.93		0.75	17250	68	112	2015
WALL/DUCT-71-6T-1.5 IE3	945	4.68	2.69		1.10	20950	69	117	2015
WALL/DUCT-80-4T-3 IE3	1435	7.93	4.56		2.20	28000	82	132	2020
WALL/DUCT-80-4T-4 IE3	1440	10.70	6.15		3.00	32700	83	138	2020

Model	Speed (r/min)	Max. admissible current (A)			Installed power (kW)	Max. flow (m³/h)	Sound pressure level dB(A)	Approx. weight (kg)	According ErP*
		230 V	400 V	690 V					
WALL/DUCT-80-4T-5.5 IE3	1450	13.90	8.00		4.00	37200	84	140	2020
WALL/DUCT-80-6T-1.5 IE3	945	4.68	2.69		1.10	24250	72	131	2020
WALL/DUCT-80-6T-2 IE3	950	6.43	3.70		1.50	28000	73	134	2020
WALL/DUCT-90-4T-5.5 IE3	1450	13.90	8.00		4.00	41850	89	176	2020
WALL/DUCT-90-4T-7.5 IE3	1465		10.30	5.97	5.50	47000	91	211	2020
WALL/DUCT-90-4T-10 IE3	1465		13.90	8.06	7.50	53000	92	215	2020
WALL/DUCT-90-6T-2 IE3	950	6.43	3.70		1.50	30000	77	167	2020
WALL/DUCT-90-6T-3 IE3	950	9.08	5.22		2.20	35000	78	175	2020
WALL/DUCT-90-6T-4 IE3	970	12.00	6.91		3.00	40000	79	193	2015
WALL/DUCT-100-4T-7.5 IE3	1465		10.30	5.97	5.50	52500	92	221	2020
WALL/DUCT-100-4T-10 IE3	1465		13.90	8.06	7.50	58500	93	224	2020
WALL/DUCT-100-4T-15 IE3	1470		20.90	12.10	11.00	68000	94	262	2020
WALL/DUCT-100-4T-20 IE3	1465		27.90	16.20	15.00	71850	95	273	2020
WALL/DUCT-100-6T-3 IE3	950	9.08	5.22		2.20	40500	82	184	2020
WALL/DUCT-100-6T-4 IE3	970	12.00	6.91		3.00	46950	83	202	2015
WALL/DUCT-100-6T-5.5 IE3	960	15.60	8.99		4.00	52000	84	208	2015
WALL/DUCT-125-4T/6-20 IE3	1470		29.87	17.25	15.00	78608	99	462	2020
WALL/DUCT-125-4T/6-25 IE3	1470		34.86	20.12	18.50	92546	100	530	2020
WALL/DUCT-125-4T/6-30 IE3	1470		41.77	24.11	22.00	98830	101	544	2020
WALL/DUCT-125-4T/6-40 IE3	1475		55.19	31.87	30.00	117456	101	625	2020
WALL/DUCT-125-4T/6-50 IE3	1480		73.00	42.10	37.00	131064	102	673	2020
WALL/DUCT-125-4T/9-25 IE3	1470		34.86	20.12	18.50	79671	95	539	2020

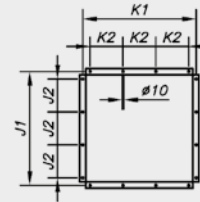
Model	Speed (r/min)	Max. admissible current (A)			Installed power (kW)	Max. flow (m³/h)	Sound pressure level dB(A)	Approx. weight (kg)	According ErP*
		230 V	400 V	690 V					
WALL/DUCT-125-4T/9-30 IE3	1470		41.77	24.11	22.00	88281	96	553	2020
WALL/DUCT-125-4T/9-40 IE3	1475		55.19	31.87	30.00	104040	96	634	2020
WALL/DUCT-125-4T/9-50 IE3	1480		73.00	42.10	37.00	118399	97	682	2020
WALL/DUCT-125-4T/12-30 IE3	1475		42.20	24.44	22.00	62897	99	569	2020
WALL/DUCT-125-4T/12-40 IE3	1470		53.30	31.02	30.00	79181	100	650	2020
WALL/DUCT-125-4T/12-50 IE3	1480		66.40	38.26	37.00	95715	100	693	2020
WALL/DUCT-125-6T/6-5.5 IE3	960		9.61	5.55	4.00	51502	82	395	2020
WALL/DUCT-125-6T/6-7.5 IE3	960		12.82	7.40	5.50	60634	83	402	2020
WALL/DUCT-125-6T/6-10 IE3	960		17.24	9.95	7.50	72647	83	427	2020
WALL/DUCT-125-6T/6-15 IE3	955		22.10	12.76	11.00	85869	84	457	2020
WALL/DUCT-125-6T/6-20 IE3	970		29.44	16.99	15.00	92854	85	530	2020
WALL/DUCT-125-6T/9-10 IE3	960		17.24	9.95	7.50	63487	84	436	2020
WALL/DUCT-125-6T/9-15 IE3	955		22.10	12.76	11.00	77572	85	466	2020
WALL/DUCT-125-6T/9-20 IE3	970		29.44	16.99	15.00	92968	86	539	2020
WALL/DUCT-125-6T/9-25 IE3	975		36.10	20.77	18.50	96500	87	569	2020
WALL/DUCT-125-6T/12-25 IE3	975		36.10	20.77	18.50	131859	84	579	2020
WALL/DUCT-125-6T/12-30 IE3	975		42.30	24.35	22.00	146765	85	621	2020
WALL/DUCT-125-6T/12-40 IE3	980		55.80	32.13	30.00	166138	86	739	2020

*In accordance with the ErP 2020 draft

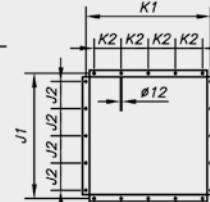
WALL/DUCT



* Wall-mounting flange

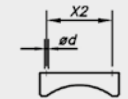


- WALL/DUCT 40
- WALL/DUCT 45
- WALL/DUCT 50
- WALL/DUCT 56
- WALL/DUCT 63
- WALL/DUCT 71
- WALL/DUCT 80

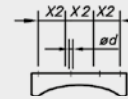


- WALL/DUCT 90
- WALL/DUCT 100
- WALL/DUCT 125

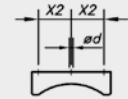
Helical ring support stand



- WALL/DUCT 40



- WALL/DUCT 125



- WALL/DUCT 45
- WALL/DUCT 50
- WALL/DUCT 56
- WALL/DUCT 63
- WALL/DUCT 71
- WALL/DUCT 80
- WALL/DUCT 90
- WALL/DUCT 100

Model	A	B	C	D	ØD*	I	J	H	G	E	F	J1	J2	K1	K2	X2	ød
WALL/DUCT-40	640	590	650	600	400	80	255	450	430	82	430	700	200	700	200	200	10
WALL/DUCT-45	640	590	650	600	450	80	280	490	470	82	430	700	200	700	200	200	12
WALL/DUCT-50	690	690	700	700	500	80	305	490	470	82	560	790	220	790	220	200	12
WALL/DUCT-56	690	690	700	700	560	80	340	530	510	82	560	790	220	790	220	215	13
WALL/DUCT-63	990	990	1000	1000	630	80	385	560	540	82	760	1050	300	1050	300	215	13
WALL/DUCT-71	990	990	1000	1000	710	80	445	630	605	82	760	1050	300	1050	300	225	13
WALL/DUCT-80	990	990	1000	1000	800	100	490	630	605	82	760	1050	300	1050	300	280	13
WALL/DUCT-90	1190	1190	1200	1200	900	100	550	630	605	82	790	1250	250	1250	250	280	18
WALL/DUCT-100	1190	1190	1200	1200	1000	100	600	730	705	82	790	1250	250	1250	250	280	18
WALL/DUCT-100 >10CV	1190	1190	1200	1200	1000	100	600	830	805	82	790	1250	250	1250	250	280	18
WALL/DUCT-125	1490	1490	1500	1500	1250	100	725	1045	1025	82	1240	1600	300	1600	300	300	18
WALL/DUCT-125 (4T/6-20; 6T/6-5,5; 6T/6-10; 6T/6-15; 6T/6-20; 6T/9-10; 6T/9-15)	1490	1490	1500	1500	1250	100	725	845	825	82	1240	1600	300	1600	300	300	18
WALL/DUCT-125-50CV	1490	1490	1500	1500	1250	100	725	1145	1125	82	1240	1600	300	1600	300	300	18

(*) Recommended pipe nominal diameter
(C x D) Nominal size of the wall opening

WALL/FREE



Dynamic wall-mounted extract fans fitted with hatches with motorised opening function

Dynamic wall-mounted extract fans with motorised opening function and protective guard for use without an extract duct. Suitable for installation in industrial buildings, stores or in any other type of building.

Fan:

- Wall-mounting with flanged spigot for ease of installation.
- Galvanised sheet steel support frame.
- Variable angle impellers made of cast aluminium.
- Airflow direction from motor to impeller.
- Touch protection grille pursuant to standard UNE-EN ISO 12499.

Extruded aluminium hatch:

- Extremely robust structure that is capable of withstanding severe weather conditions.
- Water-tight design to prevent the entry of water.
- Aluminium profile with thermal bridge break.
- Central panel and structure with high performance thermal insulation.
- Thermal resistance of the assembly < 0.89 W/m²·K.
- Limit switches for both positions (open and closed).
- Can be installed with optional top and bottom openings.
- Manual opening system.

Motor:

- Class F motors with ball bearings, IP55 protection, except single-phase models from size 45 to size 56, IP54 protection. 1 or 2 speeds, depending on model.
- IE3 efficiency motors.
- Three-phase 230/400 V-50 Hz (up to 3 kW) and 400/690 V-50 Hz (powers higher than 3 kW).
- Temperature of the air to be carried: -25°C to +50°C.

Actuator:

- Reliability >11,000 dual cycles.
- Power supply voltage of 230 Vac-50 Hz.
- Operating temperature: -25°C +60°C.

Hatch finish:

- Anti-corrosive finish extruded aluminium.
- Standard colour RAL 7016. Any RAL colour may be selected upon request.

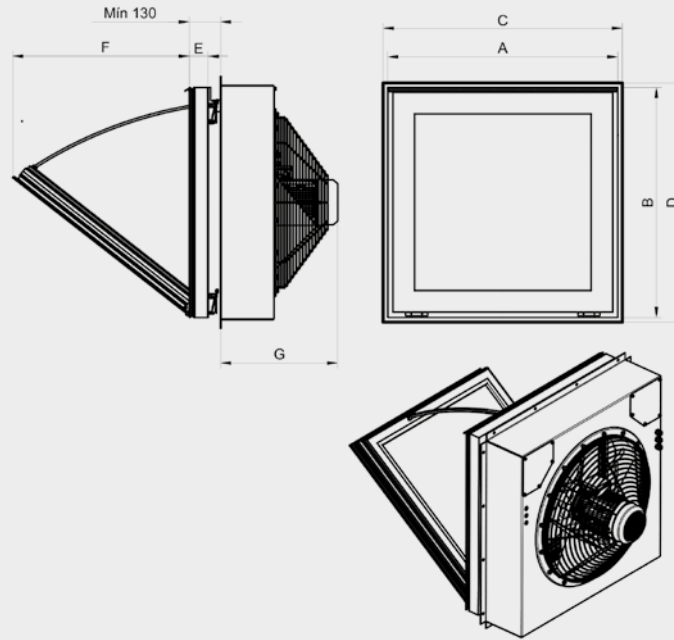
On request:

- AA: impeller-motor air direction for air supply into premises.

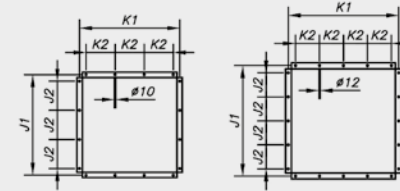
Model	Speed (r/min)	Max. admissible current (A)			Installed power (kW)	Blade tilt angle (°)	Max. flow (m ³ /h)	Sound pressure level dB(A)	Approx. weight (kg)	According ErP*
		230 V	400 V	690 V						
WALL/FREE-40-2T-1.5 IE3	2880	4.7	2.7		1.10	20	7050	73	55	2020
WALL/FREE-45-2T-2 IE3	2880	5.9	3.4		1.50	16	9405	75	63	2020
WALL/FREE-45-2T-3 IE3	2840	8.7	5.0		2.20	22	11325	77	67	2020
WALL/FREE-56-4T-2 IE3	1440	6.2	3.6		1.50	36	15020	72	69	2020
WALL/FREE-63-4T-3 IE3	1425	9.0	5.2		2.20	32	22460	73	97	2020
WALL/FREE-63-4T-4 IE3	1430	11.4	6.6		3.00	38	24460	74	103	2020
WALL/FREE-71-4T-3 IE3	1425	9.0	5.2		2.20	22	25100	81	100	2020
WALL/FREE-71-4T-4 IE3	1430	11.4	6.6		3.00	28	27500	82	106	2020
WALL/FREE-71-6T-1.5 IE3	945	5.5	3.2		1.10	34	19950	69	98	2020
WALL/FREE-80-4T-3 IE3	1425	9.0	5.2		2.20	12	25545	79	114	2020
WALL/FREE-80-4T-4 IE3	1430	11.4	6.6		3.00	16	30410	80	120	2020
WALL/FREE-80-4T-5.5 IE3	1440		8.4	4.8	4.00	18	32940	81	122	2020
WALL/FREE-80-6T-1.5 IE3	945	5.5	3.2		1.10	18	21580	69	112	2020
WALL/FREE-80-6T-2 IE3	945	7.4	4.3		1.50	26	26090	70	116	2020
WALL/FREE-90-4T-7.5 IE3	1460		12.6	7.3	5.50	18	46325	88	183	2020
WALL/FREE-90-4T-10 IE3	1460		17.7	10.2	7.50	22	50315	89	187	2020
WALL/FREE-90-6T-3 IE3	950	9.5	5.5		2.20	24	34055	75	145	2020
WALL/FREE-90-6T-4 IE3	970	13.5	7.8		3.00	30	39055	76	165	2020
WALL/FREE-100-4T-10 IE3	1460		17.7	10.2	7.50	16	57650	90	194	2020
WALL/FREE-100-4T-15 IE3	1460		22.0	12.7	11.00	22	66505	91	226	2020
WALL/FREE-100-4T-20 IE3	1460		29.0	16.7	15.00	28	76445	92	237	2020
WALL/FREE-100-6T-5.5 IE3	970		11.0	6.4	4.00	26	47955	81	178	2020

*In accordance with the ErP 2020 draft

WALL/FREE



* Wall-mounting flange



WALL/FREE 40
WALL/FREE 45
WALL/FREE 56
WALL/FREE 63
WALL/FREE 71
WALL/FREE 80

WALL/FREE 90
WALL/FREE 100

Model	A	B	C	D	E	F	G	J1	J2	K1	K2
WALL/FREE-40	640	590	650	600	82	430	375	700	200	700	200
WALL/FREE-45	640	590	650	600	82	430	400	700	200	700	200
WALL/FREE-56	690	690	700	700	82	560	415	790	220	790	220
WALL/FREE-63	990	990	1000	1000	82	760	475	1050	300	1050	300
WALL/FREE-71	990	990	1000	1000	82	760	500	1050	300	1050	300
WALL/FREE-80	990	990	1000	1000	82	760	500	1050	300	1050	300
WALL/FREE-90	1190	1190	1200	1200	82	790	525	1250	250	1250	250
WALL/FREE-100	1190	1190	1200	1200	82	790	550	1250	250	1250	250

(C x D) Nominal size of the wall opening.

WALL/AXIAL



Wall-mounted axial extract fans with hatches with motorised opening function

Wall-mounted axial fans with impeller made of fibreglass-reinforced plastic and a hatch with motorised opening function. Suitable for installation in industrial or commercial buildings.

Fan:

- Wall-mounting flange for ease of installation.
- Galvanised sheet steel support frame.
- Fibreglass-reinforced polyamide-6 impeller.
- Touch protection grille pursuant to standard UNE-EN ISO 12499.
- Models 71 with protective grille supplied as an accessory.
- Airflow direction from motor to impeller.

- Can be installed with optional top and bottom openings.

Motor:

- IE3 efficiency motors.
- Class F motors with ball bearings and IP55 protection.
- Single-phase 230 V-50 Hz and three-phase 230/400 V-50 Hz (up to 1.5 kW).
- Temperature of the air to be carried: -25°C to +60°C.

Extruded aluminium hatch:

- Extremely robust structure that is capable of withstanding severe weather conditions.
- Water-tight design to prevent the entry of water.
- Aluminium profile with thermal bridge break.
- Central panel and structure with high performance thermal insulation.
- Thermal resistance of the assembly < 0.89 W/m²·K.
- Manual opening system
- Limit switches for both positions (open and closed).

Actuator:

- Reliability >11,000 dual cycles.
- Power supply voltage of 230 Vac-50 Hz.
- Operating temperature: -25°C +60°C.

Hatch finish:

- Anti-corrosive finish extruded aluminium.
- Standard colour RAL 7016. Any RAL colour may be selected upon request.

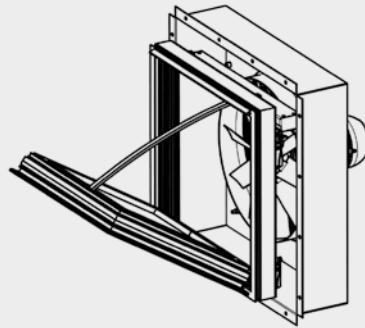
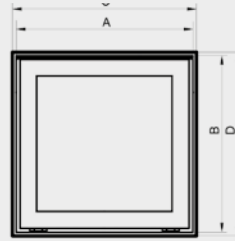
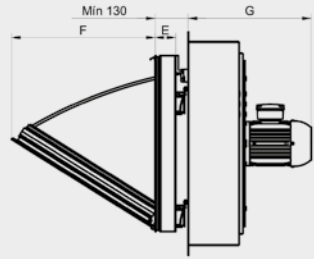
On request:

- AA: impeller-motor air direction for air supply into premises.

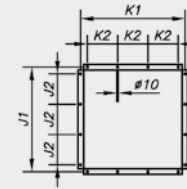
Model	Speed (r/min)	Max. admissible current (A)		Installed power (kW)	Max. flow (m ³ /h)	Sound pressure level dB(A)	Approx. weight (kg)	According ErP*
		230 V	400 V					
WALL/AXIAL-40-4T	1350	1.66	0.96	0.25	5200.00	63	32	2015
WALL/AXIAL-45-4T	1370	2.02	1.17	0.37	7300.00	66	36	2020
WALL/AXIAL-50-4T	1380	2.92	1.69	0.55	10200.00	69	44	2015
WALL/AXIAL-56-4T IE3	1455	4.07	2.34	1.10	13000.00	72	55	2015
WALL/AXIAL-56-6T	900	2.24	1.30	0.37	8300.00	61	46	2015
WALL/AXIAL-63-4T IE3	1455	4.07	2.34	1.10	16450.00	74	80	2020
WALL/AXIAL-63-6T	900	2.24	1.30	0.37	12350.00	64	71	2015
WALL/AXIAL-71-4T IE3	1440	5.41	3.11	1.50	22150.00	78	92	2020
WALL/AXIAL-71-6T IE3	940	3.36	1.93	0.75	17300.00	66	88	2015

*In accordance with the ErP 2020 draft

WALL/AXIAL



* Wall-mounting flange



WALL/AXIAL 40
 WALL/AXIAL 45
 WALL/AXIAL 50
 WALL/AXIAL 56
 WALL/AXIAL 63
 WALL/AXIAL 71

Model	A	B	C	D	E	F	G	J1	J2	K1	K2
WALL-AXIAL-40	640	590	650	600	82	430	400	700	200	700	200
WALL-AXIAL-45	640	590	650	600	82	430	405	700	200	730	200
WALL-AXIAL-50	690	690	700	700	82	560	455	790	220	790	220
WALL-AXIAL-56	690	690	700	700	82	560	485	840	220	840	220
WALL-AXIAL-63	990	990	1000	1000	82	760	480	1050	300	1050	300
WALL-AXIAL-71	990	990	1000	1000	82	760	480	1050	300	1050	300

(C x D) Nominal size of the wall opening.

THT/HATCH



400°C/2h and 300°C/2h rated dynamic exhaust systems with motorised opening function, fitted with roof-mounted extract fan, for smoke extraction in the event of fire

Dynamic discharge systems with roof-mounted extract fans and motorised opening function. Specially designed for a fast and effective exhaust of harmful smoke and gases in the event of fire. Suitable for installation in industrial or commercial buildings. Approved in accordance with standard EN 12101-3, with F-400 and F-300 certificates. The rapid smoke extraction permits the efficient intervention of fire fighters, fast evacuation of people and prevents new sources of fire and greater structural damage to the building. Can also be used for environmental ventilation in the buildings in which they are installed.

Fan:

- An extremely robust structure that is able to withstand severe weather changes.
- Equipment structure made of galvanised sheet steel, with anti-corrosive finish.
- Water-tight design to prevent the ingress of water.
- Heat insulation of 60mm thickness to prevent heat loss in the winter.
- Adaptable skirting for correct, easy installation on the roof.
- Maintenance switch fitted with NA/NC auxiliary contact to control equipment disconnection.
- Roof-mounted extract fans with F-400 no. 0370-CPR-1827 and F-300 no. 0370-CPR-0973 certification.
- Cylindrical case in sheet steel with polyester resin anti-corrosive finish treatment.
- Cast aluminium adjustable impellers.

Opening system:

- Motorised opening arms, with encapsulated IP65 mechanism.
- Power supply voltage of 230 Vac 50 Hz
- Reinforced, guaranteed system with more than 10,000 operations at maximum load.
- Maximum load 1000 N.

- Automatic opening via external control system signal (fire station, smoke detector...). Control systems not included in the supply.
- Limit switch to signal the hatch position.

Motor:

- Class H motors, S1 continuous operation and S2 emergency use, with ball bearings and IP55 protection.
- IE3 efficiency motors for powers equal to or higher than 0.75 kW except single-phase, 2-speed and 8-pole.
- Three-phase 230/400 V-50 Hz (up to 3 kW) and 400/690 V-50 Hz (powers higher than 3 kW)
- Temperature of the air to be carried: S1 continuous operation -25°C to +40°C, also suitable for warm climates with temperatures up to 50°C. S2 operation, 300°C/2h, 400°C/2h.

Finish:

- Anti-corrosive finish on galvanised sheet steel.

On request:

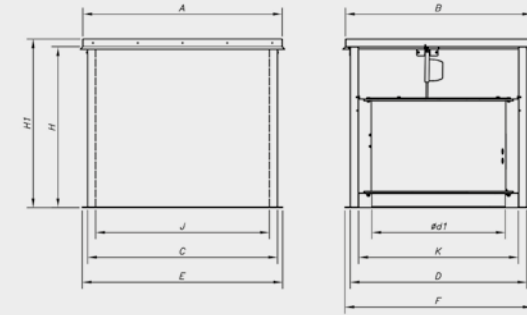
- Polyester resin anti-corrosive paint finish.
- Motorised opening arms with supply voltage of 24 V DC.

Model	Speed (r/min)	Max. admissible current (A)			Installed power (kW)	Max. flow (m ³ /h)	Sound pressure level dB(A)	Approx. weight (kg)	According ErP*
		230 V	400 V	690 V					
THT/HATCH-40-2T-1 IE3	2850	3.15	1.80		0.75	6115	72	184	2020
THT/HATCH-40-2T-1.5 IE3	2880	4.70	2.70		1.10	7050	73	188	2020
THT/HATCH-45-2T-2 IE3	2880	5.90	3.40		1.50	9405	75	193	2020
THT/HATCH-45-2T-3 IE3	2840	8.70	5.00		2.20	11325	77	194	2020
THT/HATCH-50-2T-4 IE3	2880	11.20	6.50		3.00	13860	79	206	2020
THT/HATCH-56-2T-5.5 IE3	2870		9.50	5.50	4.00	18840	85	226	2020
THT/HATCH-56-2T-7.5 IE3	2910		10.60	6.14	5.50	22510	86	237	2020
THT/HATCH-63-4T-3 IE3	1425	9.00	5.20		2.20	22460	73	262	2020
THT/HATCH-63-4T-4 IE3	1430	11.40	6.60		3.00	24460	74	271	2020
THT/HATCH-63-6T-1 IE3	940	4.70	2.70		0.75	16025	63	252	2020
THT/HATCH-80-4T-3 IE3	1425	9.00	5.20		2.20	25545	79	280	2020
THT/HATCH-80-4T-4 IE3	1430	11.40	6.60		3.00	30410	80	289	2020
THT/HATCH-80-4T-5.5 IE3	1440		8.40	4.80	4.00	32940	81	295	2020
THT/HATCH-80-4T-7.5 IE3	1460		12.60	7.30	5.50	39820	82	311	2020
THT/HATCH-80-6T-1.5 IE3	945	5.50	3.20		1.10	21580	69	279	2020
THT/HATCH-80-6T-2 IE3	945	7.40	4.30		1.50	26090	70	288	2020
THT/HATCH-90-4T-7.5 IE3	1460		12.60	7.30	5.50	46325	88	392	2020
THT/HATCH-90-4T-10 IE3	1460		17.70	10.20	7.50	50315	89	403	2020
THT/HATCH-90-4T-15 IE3	1460		22.00	12.70	11.00	59610	90	456	2020
THT/HATCH-90-6T-3 IE3	950	9.50	5.50		2.20	34055	75	365	2020
THT/HATCH-90-6T-4 IE3	970	13.50	7.80		3.00	39055	76	391	2020
THT/HATCH-100-4T-10 IE3	1460		17.70	10.20	7.50	57650	90	413	2020
THT/HATCH-100-4T-15 IE3	1460		22.00	12.70	11.00	66505	91	466	2020
THT/HATCH-100-4T-20 IE3	1460		29.00	16.70	15.00	76445	92	481	2020
THT/HATCH-100-6T-5.5 IE3	970		11.00	6.40	4.00	47955	81	413	2020
THT/HATCH-100-6T-7.5 IE3	970		12.40	7.20	5.50	53545	82	420	2020

Model	Speed (r/min)	Max. admissible current (A)			Max. electric power (kW)	Max. flow (m ³ /h)	Sound pressure level dB(A)	Approx. weight (kg)	According ErP
		230 V	400 V	690 V					
THT/HATCH-125-4T/6-25 IE3	1465		37.00	21.36	18.50	92550	87	746	2020
THT/HATCH-125-4T/6-30 IE3	1470		42.00	24.25	22.00	98850	87	760	2020
THT/HATCH-125-4T/6-40 IE3	1475		58.00	33.49	30.00	117450	89	841	2020
THT/HATCH-125-4T/6-50 IE3	1480		73.00	42.15	37.00	131050	90	889	2020
THT/HATCH-125-4T/9-25 IE3	1465		37.00	21.36	18.50	79650	85	755	2020
THT/HATCH-125-4T/9-30 IE3	1470		42.00	24.25	22.00	88300	86	769	2020
THT/HATCH-125-4T/9-40 IE3	1475		58.00	33.49	30.00	104050	88	850	2020
THT/HATCH-125-4T/9-50 IE3	1480		73.00	42.15	37.00	118400	90	898	2020
THT/HATCH-125-6T/6-5.5 IE3	970		11.00	6.35	4.00	51500	75	611	2020
THT/HATCH-125-6T/6-7.5 IE3	970		14.00	8.08	5.50	60650	75	618	2020
THT/HATCH-125-6T/6-10 IE3	960		18.60	10.74	7.50	72650	77	643	2020
THT/HATCH-125-6T/6-15 IE3	955		26.00	15.01	11.00	85850	79	673	2020
THT/HATCH-125-6T/6-20 IE3	950		35.50	20.50	15.00	92850	80	746	2020
THT/HATCH-125-6T/9-10 IE3	960		18.60	10.74	7.50	63500	76	652	2020
THT/HATCH-125-6T/9-15 IE3	955		26.00	15.01	11.00	77550	79	682	2020
THT/HATCH-125-6T/9-20 IE3	950		35.50	20.50	15.00	92950	82	755	2020

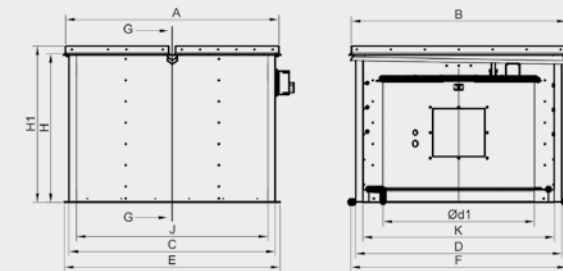
*In accordance with the ErP 2020 draft

THT/HATCH 40 ... 100



Model	A	B	C	D	Ød1	E	F	H	H1	J	K
THT/HATCH-40	1100	990	1022	920	400	1100	1000	940	1000	900	800
THT/HATCH-45	1100	990	1022	920	450	1100	1000	940	1000	900	800
THT/HATCH-50	1100	990	1022	920	500	1100	1000	940	1000	900	800
THT/HATCH-56	1100	990	1022	920	560	1100	1000	940	1000	900	800
THT/HATCH-63	1295	1195	1222	1122	630	1300	1200	940	1000	1100	1000
THT/HATCH-80	1295	1195	1222	1122	800	1300	1200	940	1000	1100	1000
THT/HATCH-90	1492	1392	1420	1320	900	1500	1400	940	1000	1300	1200
THT/HATCH-100	1492	1392	1420	1320	1000	1500	1400	940	1000	1300	1200

THT/HATCH-125



Model	A	B	C	D	Ød1	E	F	H	H1	J	K
THT/HATCH-125	1750	1775	1700	1700	1245	1780	1780	1230	1290	1580	1580

HCT/HATCH



Dynamic discharge systems with motorised opening function fitted with roof-mounted extract fans

Dynamic discharge systems with roof-mounted extract fans and motorised opening function. Suitable for installation in industrial or commercial buildings. Can be used for environmental ventilation in the buildings in which they are installed.

Fan:

- An extremely robust structure that is able to withstand severe weather changes.
- Equipment structure made of galvanised sheet steel, with anti-corrosive finish.
- Water-tight design to prevent the ingress of water.
- Heat insulation of 60mm thickness to prevent heat loss in the winter.
- Adaptable skirting for a correct and easy installation on the roof.
- Maintenance switch fitted with NA/NC auxiliary contact to control equipment disconnection.
- Cylindrical case in sheet steel with polyester resin anti-corrosive finish treatment.
- Cast aluminium impellers.
- Models 125 with cast aluminium impellers with 6 or 9 blades with adjustable angle of inclination.

Opening system:

- Motorised opening arms, with encapsulated IP65 mechanism.
- Power supply voltage of 230 Vac 50 Hz.
- Reinforced, guaranteed system with more than 10,000 operations at maximum load.
- Maximum load 1000 N.

- Automatic opening via external control system signal (fire station, smoke detector...). Control systems not included in the supply.
- Limit switch to signal the hatch position.

Motor:

- IE3 efficiency motors for powers equal to or higher than 0.75 kW except single-phase, 2-speed and 8-pole.
- Class F motors with ball bearings and IP55 protection.
- Three-phase 230/400 V-50 Hz (up to 4 kW) and 400/690 V-50 Hz (powers higher than 4 kW).
- Operating temperature: -25°C to +50°C.

Finish:

- Anti-corrosive finish on galvanised sheet steel.

On request:

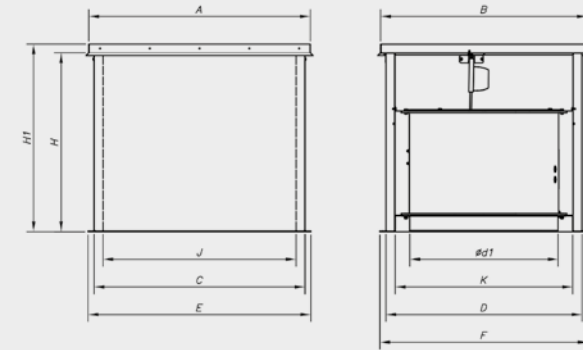
- Polyester resin anti-corrosive paint finish.
- Motorised opening arms with supply voltage of 24 V. DC

Model	Speed (r/min)	Max. admissible current (A)			Installed power (kW)	Max. flow (m ³ /h)	Sound pressure level dB(A)	Approx. weight (kg)	According ErP*
		230 V	400 V	690 V					
HCT/HATCH-40-2T-1.5 IE3	2830	4.03	2.34		1.10	8800	84	188	2015
HCT/HATCH-45-2T-2 IE3	2875	5.34	3.07		1.50	10650	86	193	2015
HCT/HATCH-45-2T-3 IE3	2910	7.32	4.21		2.20	12750	88	194	2015
HCT/HATCH-45-4T-0.5	1370	2.02	1.17		0.37	7100	68	189	2015
HCT/HATCH-50-4T-0.75	1380	2.92	1.69		0.55	10400	70	194	2015
HCT/HATCH-56-4T-1 IE3	1420	2.82	1.62		0.75	12950	73	202	2020
HCT/HATCH-56-4T-1.5 IE3	1455	4.07	2.34		1.10	14000	74	201	2020
HCT/HATCH-56-4T-2 IE3	1440	5.41	3.11		1.50	15300	75	205	2015
HCT/HATCH-56-6T-0.75	900	2.99	1.73		0.55	10000	62	201	2020
HCT/HATCH-63-4T-1 IE3	1420	2.82	1.62		0.75	14150	73	206	2020
HCT/HATCH-63-4T-1.5 IE3	1455	4.07	2.34		1.10	17000	74	208	2020
HCT/HATCH-63-4T-2 IE3	1440	5.41	3.11		1.50	18900	75	212	2020
HCT/HATCH-63-4T-3 IE3	1435	7.93	4.56		2.20	22100	76	221	2020
HCT/HATCH-63-4T-4 IE3	1440	10.70	6.15		3.00	25400	77	230	2020
HCT/HATCH-63-6T-0.75	900	2.99	1.73		0.55	12750	65	249	2015
HCT/HATCH-71-4T-2 IE3	1440	5.41	3.11		1.50	21100	79	260	2020
HCT/HATCH-71-4T-3 IE3	1435	7.93	4.56		2.20	23950	81	269	2020
HCT/HATCH-71-4T-4 IE3	1440	10.70	6.15		3.00	29400	82	278	2015
HCT/HATCH-71-6T-1 IE3	940	3.36	1.93		0.75	17250	68	260	2015
HCT/HATCH-71-6T-1.5 IE3	945	4.68	2.69		1.10	20950	69	268	2015
HCT/HATCH-80-4T-3 IE3	1435	7.93	4.56		2.20	28000	82	280	2020
HCT/HATCH-80-4T-4 IE3	1440	10.70	6.15		3.00	32700	83	289	2020
HCT/HATCH-80-4T-5.5 IE3	1450	13.90	8.00		4.00	37200	84	295	2020
HCT/HATCH-80-6T-1.5 IE3	945	4.68	2.69		1.10	24250	72	279	2020
HCT/HATCH-80-6T-2 IE3	950	6.43	3.70		1.50	28000	73	288	2020
HCT/HATCH-90-4T-5.5 IE3	1450	13.90	8.00		4.00	41850	89	318	2020
HCT/HATCH-90-4T-7.5 IE3	1465		10.30	5.97	5.50	47000	91	344	2020

Model	Speed (r/min)	Max. admissible current (A)			Max. electric power (kW)	Max. flow (m ³ /h)	Sound pressure level dB(A)	Approx. weight (kg)	According ErP
		230 V	400 V	690 V					
HCT/HATCH-90-4T-10 IE3	1465		13.90	8.06	7.50	53000	92	293	2020
HCT/HATCH-90-6T-2 IE3	950	6.43	3.70		1.50	30000	77	311	2020
HCT/HATCH-90-6T-3 IE3	950	9.08	5.22		2.20	35000	78	365	2020
HCT/HATCH-90-6T-4 IE3	970	12.00	6.91		3.00	40000	79	391	2015
HCT/HATCH-100-4T-7.5 IE3	1465		10.30	5.97	5.50	52500	92	400	2020
HCT/HATCH-100-4T-10 IE3	1465		13.90	8.06	7.50	58500	93	411	2020
HCT/HATCH-100-4T-15 IE3	1470		20.90	12.10	11.00	68000	94	466	2020
HCT/HATCH-100-4T-20 IE3	1465		27.90	16.20	15.00	71850	95	481	2020
HCT/HATCH-100-6T-3 IE3	950	9.08	5.22		2.20	40500	82	375	2020
HCT/HATCH-100-6T-4 IE3	970	12.00	6.91		3.00	46950	83	401	2015
HCT/HATCH-100-6T-5.5 IE3	960	15.60	8.99		4.00	52000	84	413	2015
HCT/HATCH-125-4T/6-25 IE3	1470		35.10	20.30	18.50	92000	90	746	2020
HCT/HATCH-125-4T/6-30 IE3	1470		41.00	23.80	22.00	98100	90	760	2020
HCT/HATCH-125-4T/6-40 IE3	1480		57.10	33.10	30.00	117000	92	841	2020
HCT/HATCH-125-4T/6-50 IE3	1480		69.20	40.10	37.00	123700	93	889	2020
HCT/HATCH-125-4T/9-25 IE3	1470		35.10	20.30	18.50	79750	88	755	2020
HCT/HATCH-125-4T/9-30 IE3	1470		41.00	23.80	22.00	97000	89	769	2020
HCT/HATCH-125-4T/9-40 IE3	1480		57.10	33.10	30.00	111200	91	850	2020
HCT/HATCH-125-4T/9-50 IE3	1480		69.20	40.10	37.00	118350	93	898	2020
HCT/HATCH-125-6T/6-5.5 IE3	960	15.60	8.99		4.00	51300	77	611	2020
HCT/HATCH-125-6T/6-7.5 IE3	970		11.20	6.49	5.50	60300	77	618	2020
HCT/HATCH-125-6T/6-10 IE3	975		14.80	8.58	7.50	72250	79	643	2020
HCT/HATCH-125-6T/6-15 IE3	975		21.90	12.70	11.00	85450	81	673	2020
HCT/HATCH-125-6T/6-20 IE3	975		28.20	16.30	15.00	92850	82	746	2020
HCT/HATCH-125-6T/9-10 IE3	975		14.80	8.58	7.50	68200	78	652	2020
HCT/HATCH-125-6T/9-15 IE3	975		21.90	12.70	11.00	77550	81	682	2020
HCT/HATCH-125-6T/9-20 IE3	975		28.20	16.30	15.00	92900	84	755	2020

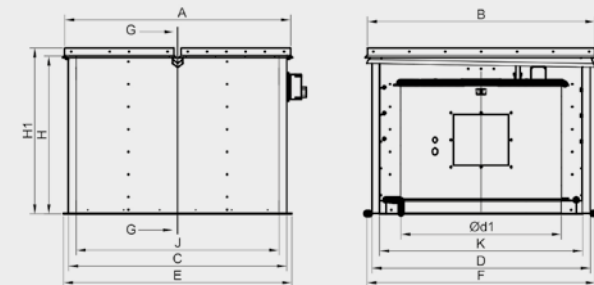
*In accordance with the ErP 2020 draft

HCT/HATCH 40 ... 100



Model	A	B	C	D	Ød1	E	F	H	H1	J	K
HCT/HATCH-40	1100	990	1022	920	400	1100	1000	940	1000	900	800
HCT/HATCH-45	1100	990	1022	920	450	1100	1000	940	1000	900	800
HCT/HATCH-50	1100	990	1022	920	500	1100	1000	940	1000	900	800
HCT/HATCH-56	1100	990	1022	920	560	1100	1000	940	1000	900	800
HCT/HATCH-63	1295	1195	1222	1122	630	1300	1200	940	1000	1100	1000
HCT/HATCH-71	1295	1195	1222	1122	710	1300	1200	940	1000	1100	1000
HCT/HATCH-80	1295	1195	1222	1122	800	1300	1200	940	1000	1100	1000
HCT/HATCH-90	1492	1392	1420	1320	900	1500	1400	940	1000	1300	1200
HCT/HATCH-100	1492	1392	1420	1320	1000	1500	1400	940	1000	1300	1200

HCT/HATCH-125



Model	A	B	C	D	Ød1	E	F	H	H1	J	K
HCT/HATCH-125	1750	1775	1700	1700	1245	1780	1780	1230	1290	1580	1580

WALL/FLAP

Aluminium hatch with motorised opening function

Suitable for installation in industrial or commercial buildings. Can be used for environmental ventilation.



Characteristics:

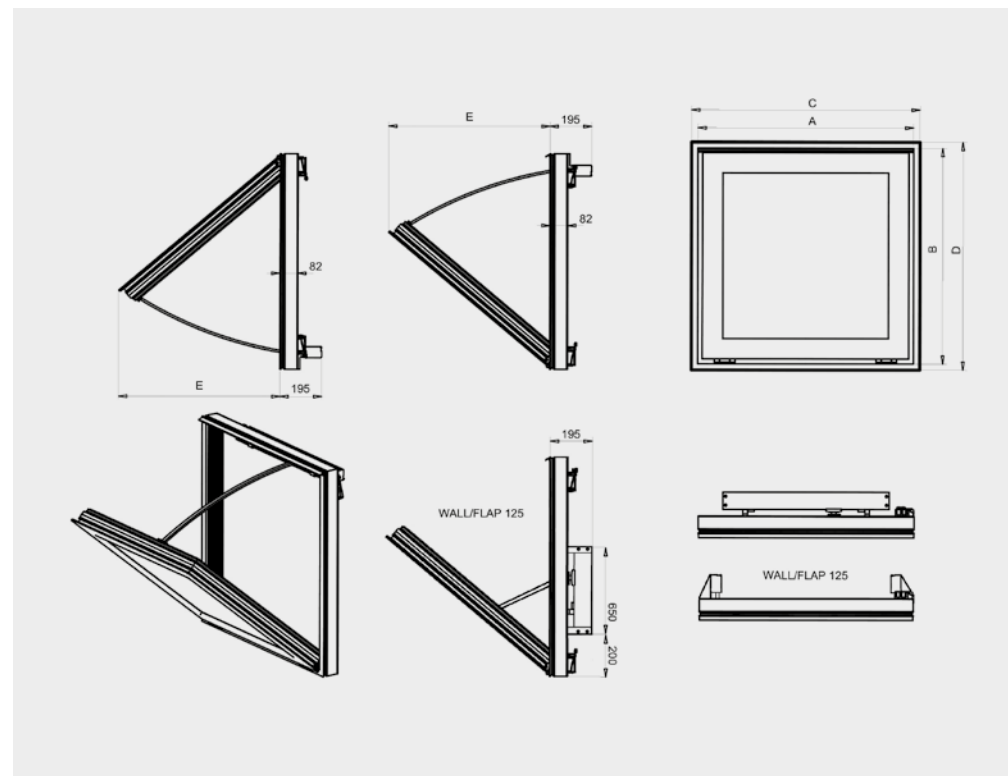
- Extremely robust aluminium structure that is capable of withstanding severe weather conditions.
- Water-tight design to prevent the ingress of water.
- Aluminium profile with thermal bridge break.
- Central panel and structure with high performance thermal insulation.
- Thermal resistance of the assembly <math>< 0.89 \text{ W/m}^2\text{K}</math>.
- Limit switches for both positions (open and closed).
- Can be installed with optional top and bottom openings. Size 125 only for the top opening.
- Manual opening system.

Finish:

- Anti-corrosive finish extruded aluminium.
- Standard colour RAL 7016. Any RAL colour may be selected upon request.

Actuator:

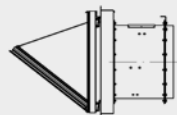
- Reliability >11,000 dual cycles.
- Power supply voltage of 230 Vac-50 Hz.
- Operating temperature: -25°C to +60°C.



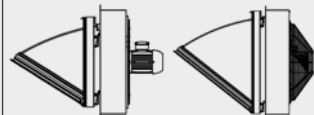
Model	A	B	C	D	F	Weight (kg)	Applicable to
WALL-FLAP-40-45	640	590	650	600	430	12	Diameters 40 and 45
WALL-FLAP-50-56	690	690	700	700	560	14	Diameters 50 and 56
WALL-FLAP-63-71-80	990	990	1000	1000	760	22	Diameters 63, 71 and 80
WALL-FLAP-90-100	1190	1190	1200	1200	790	27	Diameters 90 and 100
WALL-FLAP-125	1490	1490	1500	1500	1240	42	Diameter 125

(C x D) Nominal size of the wall opening.

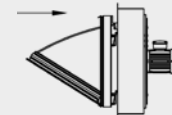
VERSIONS AVAILABLE



For connection to an extract duct.



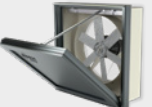
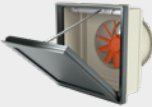



For use without an extract duct.



AA version Impeller to motor air direction.



F-300 and F-400 certification.

		For connection to an extract duct.	For use without an extract duct.	AA version Impeller to motor air direction.	F-300 and F-400 certification.
 THT/WALL	✓	-	-	✓	
 THT/WALL-F	-	✓	-	✓	
 WALL/DUCT	✓	-	✓	-	
 WALL/AXIAL	-	✓	✓	-	
 WALL/FREE	-	✓	✓	-	
 THT/HATCH	-	-	-	✓	
 HCT/HATCH	-	-	-	-	



HEADQUARTERS

Sodeca, S.L.U.
C/ del Metall, 2 - P.I. La Barriconca
E-17500 Ripoll
Girona, SPAIN

Tel. +34 93 852 91 11
Fax: +34 93 852 90 42
General sales: comercial@sodeca.com
Export sales: ventilation@sodeca.com

www.sodeca.com

PRODUCTION PLANT

Sodeca, S.L.U.
Ctra. de Berga, km 0,7
E-08580 Sant Quirze de Besora
Barcelona, SPAIN

